

# OEA-ML12-280 Single Door Magnetic Lock (280KG)

## Overview

OEA-ML12-280 is a magnetic lock with 280kg holding force designed for single doors, which is made of high-strength aluminum alloy and suitable for wooden doors, glass doors, iron doors, security doors, etc. It features fine workmanship, high solidity, strong suction, low power consumption, high reliability, easy installation, and eco-friendliness.



## Features

## Specifications

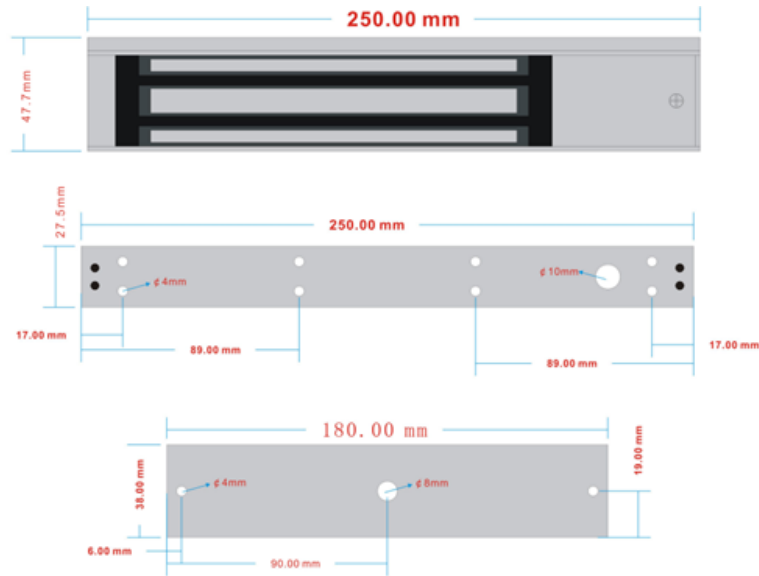
## Ordering Information

Model	Remarks
OEA-ML12-280	Single Door Magnetic Lock (280KG)

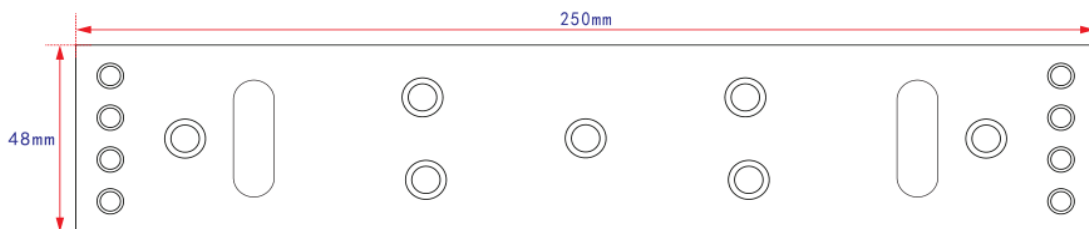
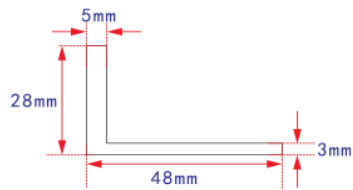
## Accessories

Model	Name	Description	Weight
OEA-MS12-280L	Single Door Magnetic Lock L-Bracket (280KG)	Used to install the lock body of OEA-ML12-280 single door magnetic locks	0.27kg
Choose one from the following			
OEA-MS12-280Z	Magnetic Lock Z-Bracket (280KG)	Used to install the armature plate of 280kg magnetic locks	0.48kg
OEA-MS12-280U	Magnetic Lock U-Bracket (280KG)	Used to install the armature plate of 280kg magnetic locks, suitable for 8mm to 12mm thick frameless glass doors	0.32kg

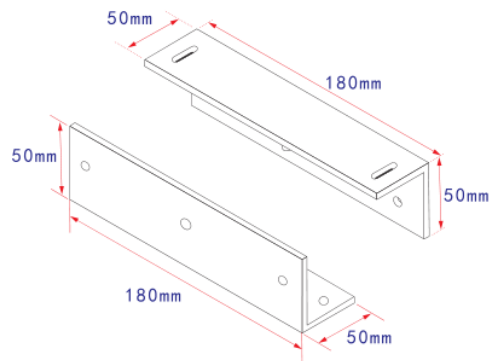
Dimensions



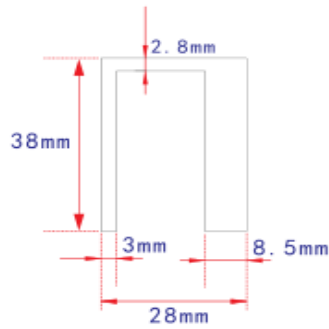
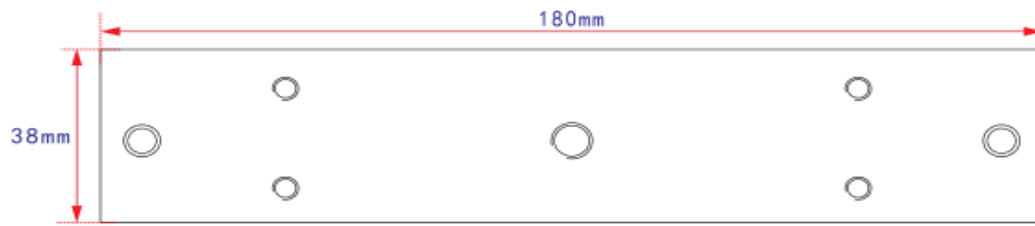
Single Door Magnetic Lock



Single Door Magnetic Lock L-Bracket (280KG)



Magnetic Lock Z-Bracket (280KG)



Magnetic Lock U-Bracket (280KG)

**Zhejiang Uniview Technologies Co., Ltd.**

Building No.10, Wanlun Science Park, Jiangling Road 88, Binjiang District, Hangzhou, Zhejiang, China

Email: [overseasbusiness@uniview.com](mailto:overseasbusiness@uniview.com); [globalsupport@uniview.com](mailto:globalsupport@uniview.com)

<http://www.uniview.com>

©2022 Zhejiang Uniview Technologies Co., Ltd. All rights reserved.

\* Product specifications and availability are subject to change without notice.