

# 4MP+4MP Lighthunter Dual-lens Network PTZ Camera

IPC94144SFW-X25-F40C



## Key Features



- Fixed camera and PTZ camera integration, dual channels with one IP, look at overall situation and consider details at the same time
- Ultra 265, H.265, H.264, MJPEG
- 25X optical zoom of PTZ channel allows for closer viewing of subjects
- PTZ channel can be linked to fixed channel's smart intrusion prevention to track the objects triggering the rule
- Lighthunter technology ensures ultra-high image quality in low illumination environment
- IR & warm light illumination to deal with different scenes and achieve full-color illumination
- DC12V or PoE+(IEEE 802.3at) power supply
- Alarm 2 in and 1 out, Audio 1 in and 1 out

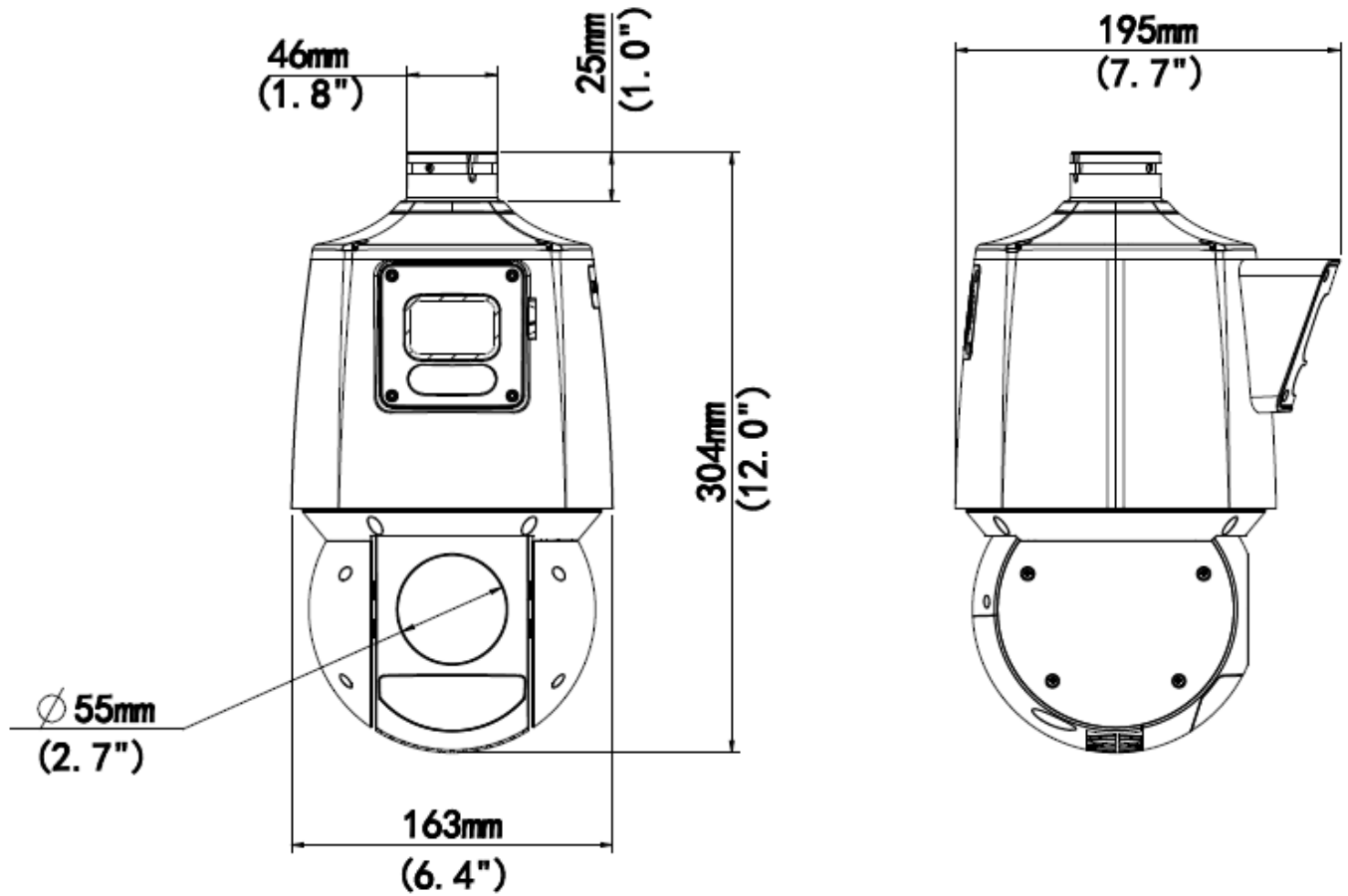
## Specifications

	IPC94144SFW-X25-F40C				
<b>Camera</b>	Panorama			Detail	
Sensor	1/1.8", 4MP, CMOS			1/2.7", 4MP, CMOS	
Min. Illumination	Color:0.0005 lux (F1.0, AGC ON) 0 lux with warm light			Color:0.003 lux (F1.5, AGC ON) 0 lux with IR	
Day/Night	N/A			IR-cut filter with auto switch (ICR)	
Shutter	Auto/Manual, 1 ~ 1/100000s				
WDR	120dB				
S/N	> 56dB				
<b>Lens</b>					
Lens type	4mm@F1.0			4.8~120mm@F1.5, AF automatic focusing and motorized zoom lens	
Optical Zoom	N/A			25X	
Iris	Fixed aperture; F1.0			Auto; F1.5(W)~F3.8(T)	
Field of View (H)	94.9°			55.46° ~ 3.09°	
Field of View (V)	51.5°			32.94° ~ 1.73°	
Field of View (D)	116.7°			68.22° ~ 3.65°	
<b>DORI</b>					
DORI Distance	Lens (mm)	Detect (m)	Observe (m)	Recognize (m)	Identify (m)
	4 (Panorama)	62.1 (203.6 ft)	24.8 (81.5 ft)	12.4 (40.7 ft)	6.2 (20.4 ft)
	4.8 (Detail)	123.8 (406.0 ft)	49.5 (162.4 ft)	24.8 (81.2 ft)	12.4 (40.6 ft)
	120 (Detail)	2475.0 (8120.1 ft)	990.0 (3248.0 ft)	495.0 (1624.0 ft)	247.5 (812.0 ft)
<b>Illuminator</b>					
IR Range	N/A			Up to 100m (328.1 ft)	
Warm Light Range	Up to 30m (98.4 ft)			N/A	
Wavelength	N/A			850nm (IR)	
Light On/Off Control	Auto/Manual				
<b>Video</b>					
Video Compression	Ultra 265, H.265, H.264, MJPEG				
Frame Rate	Main Stream: 4MP (2688*1520),Max 30fps; Sub Stream: 1080P (1920*1080), Max 30fps; Third Stream: D1 (720*576), Max 30fps;			Main Stream: 4MP (2688*1520),Max 30fps; Sub Stream: 720P (1280*720), Max 30fps; Third Stream: D1 (720*576), Max 30fps;	
Video Bit Rate	128 Kbps ~ 16 Mbps				
U-code	Support				
ROI	Up to 8 areas				
Video stream	Triple streams				
OSD	Up to 8 OSDs				
Privacy Mask	Up to 4 areas per scene			24 areas, up to 4 areas per scene	
<b>Image</b>					
White Balance	Auto/Outdoor/Fine Tune/Sodium Lamp/Locked/Auto2				
Digital noise reduction	2D/3D DNR				
Smart IR	Support				
Flip	Normal/Flip Vertical/Flip Horizontal/180°				
HLC	Support				

BLC	Support	
Defog	Digital defog	
<b>Events</b>		
Basic Detection	Motion detection, Audio detection, Tampering Alarm	
Auto Tracking	N/A	Support
General Function	Watermark, IP Address Filtering, Alarm input, Alarm output, Access Policy, ARP Protection, RTSP Authentication, User Authentication	
<b>Audio</b>		
Audio Compression	G.711U, G.711A	
Audio Bitrate	64 Kbps	
Two-way Audio	Support	
Suppression	Support	
Sampling Rate	8 kHz	
<b>Storage</b>		
Edge Storage	Micro SD, up to 256 GB	
Network Storage	ANR	
<b>Network</b>		
Protocols	IPv4, IGMP, ICMP, ARP, TCP, UDP, DHCP, PPPoE, RTP, RTSP, RTCP, DNS, DDNS, NTP, FTP, UPnP, HTTP, HTTPS, SMTP, 802.1x, SNMP, QoS, RTMP, SSL/TLS	
Compatible Integration	ONVIF (Profile S, Profile G, Profile T), API, SDK	
User/Host	Up to 32 users. 3 user levels: administrator, operator and common user	
Security	Password protection, strong password, HTTPS encryption, Export operation logs, basic and digest authentication for RTSP, digest authentication for HTTP, TLS 1.2, WSSE and digest authentication for ONVIF	
Client	EZStation EZLive EZView	
Web Browser	Plug-in required live view: IE 10 and above, Chrome 45 and above, Firefox 52 and above, Edge 79 and above	
<b>Pan &amp; Tilt</b>		
Pan Range	N/A	360°
Pan Speed	N/A	0.1°/s ~ 80°/s
	Preset speed: N/A	Preset speed: 80°/s
Tilt Range	18° ± 5°	-15° ~ 90°
Tilt Speed	N/A	0.1°/s ~ 80°/s
	Preset speed: N/A	Preset speed: 80°/s
Number of Presets	1024	
Preset Patrol	16 patrols, up to 64 presets for each patrol	
Route Patrol	16 patrols, up to 32 actions for each patrol	
Recorded Patrol	16 patrols, up to 128 actions for each patrol	
Patrol Stay Time	15s~1800s	
Preset Image Freeze	N/A	
Home Position	Support	
<b>Interface</b>		
Audio I/O	1/1	
Alarm I/O	2/1	
Serial Port	1 RS485	
Built-in Mic	N/A	
Built-in Speaker	Support	

Wi-Fi	N/A
Network	1 * RJ45 10M/100M Base-TX Ethernet
Video Output	N/A
<b>Certification</b>	
EMC	CE-EMC (EN 55032: 2015+A1:2020,EN 61000-3-3: 2013+A1: 2019,EN IEC 61000-3-2: 2019+A1: 2021,EN 55035: 2017+A11:2020) FCC (FCC CFR 47 part15 B, ANSI C63.4-2014)
Safety	CE LVD (EN 62368-1:2014+A11:2017) CB (IEC 62368-1:2014) UL (UL 62368-1, 2nd Ed., Issue Date: 2014-12-01)
Environment	CE-RoHS (2011/65/EU;(EU)2015/863)
Protection	IP66 (IEC 60529:1989+AMD1:1999+AMD2:2013)
<b>General</b>	
Power	DC12V (±25%), PoE+(IEEE 802.3at)
	Power consumption: MAX 24W
Power Interface	Ø 5.5mm coaxial power plug
Dimensions (Ø x H)	Φ163 x 304mm (Φ6.4" x 12.0")
Weight	2.27kg (5.00lb)
Working Environment	-40°C ~ +65°C(-40°F ~ +149°F), Humidity: ≤95% RH (non-condensing)
Storage Environment	-40°C ~ +70°C(-40°F ~ +158°F), Humidity: ≤95% RH (non-condensing)
Surge protection	6KV
Reset button	Support

## Dimensions



## Accessories

TR-CE45-IN  
Pendent Mount



TR-SE45-IN  
Pendent Mount



TR-WE45-IN  
Wall Mount



TR-UP08-A-IN/TR-UP08-B-IN  
Pole Mount



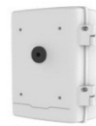
TR-UF45-A-IN  
Pendent Mount



TR-UC08-A-IN/ TR-UC08-B-IN  
Corner Mount



TR-JB12-IN  
Junction Box



TR-WE45-B-IN  
Wall Mount

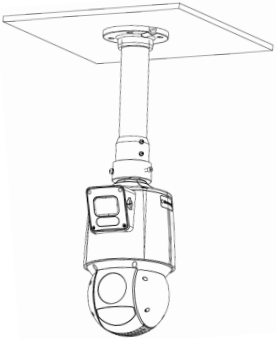
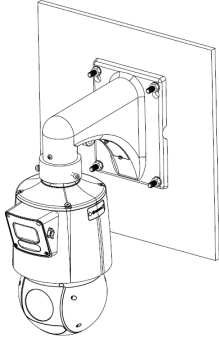
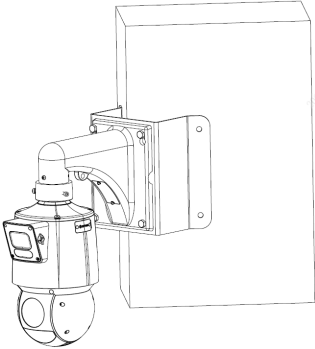
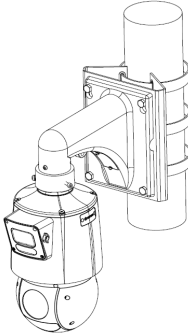


TR-SE45-A-IN  
Pendent Mount



TR-WE45-A-IN  
Wall Mount



<b>Pendent Mount (Indoor Use)</b>	<b>Wall Mount</b>
TR-CE45-IN	TR-WE45-IN / TR-WE45-A-IN
	
<b>Corner Mount</b>	<b>Pole Mount</b>
TR-UC08-A-IN + TR-JB12-IN + TR-WE45-IN	TR-UP08-A-IN + TR-JB12-IN + TR-WE45-IN
	

**Zhejiang Uniview Technologies Co., Ltd.**

Building No.10, Wanlun Science Park, Jiangling Road 88, Binjiang District, Hangzhou, Zhejiang, China (310051)

 Email: [overseasbusiness@uniview.com](mailto:overseasbusiness@uniview.com); [globalsupport@uniview.com](mailto:globalsupport@uniview.com)
<http://www.uniview.com>

©2022 Zhejiang Uniview Technologies Co., Ltd. All rights reserved.

\*Product specifications and availability are subject to change without notice