

Network Video Recorder

NVR302-F2 Series



Key Features

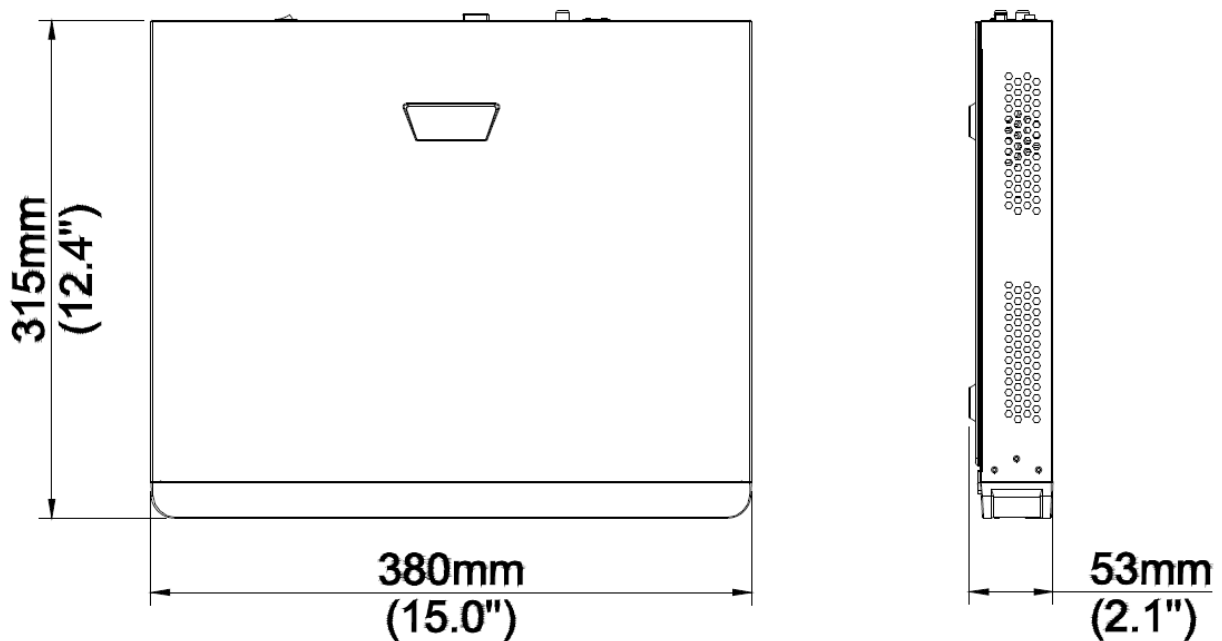
- Support Ultra H.265/H.265/H.264 video formats (Configurable)
- 9-channel input
- Supports mainstream cameras of ONVIF conformance: Profile S, Profile G, Profile T , RTSP protocols, , SDK, API, Tools, Library
- Support 1-ch HDMI, 1-ch VGA. HDMI up to 4K (3840x2160) resolution
- HDMI and VGA independent outputs provided
- Up to 12 Megapixels resolution recording
- 2 SATA HDDs, Up to 6TB for each HDD
- Various fisheye dewarping modes for live view and playback for both web interface and GUI
- ANR technology to enhance the storage reliability when the network is disconnected
- Pre-Loaded VMS License (IP Video Input)
- Support Third party VMS/CMS integration with all functions
- Support cloud upgrade

Specifications

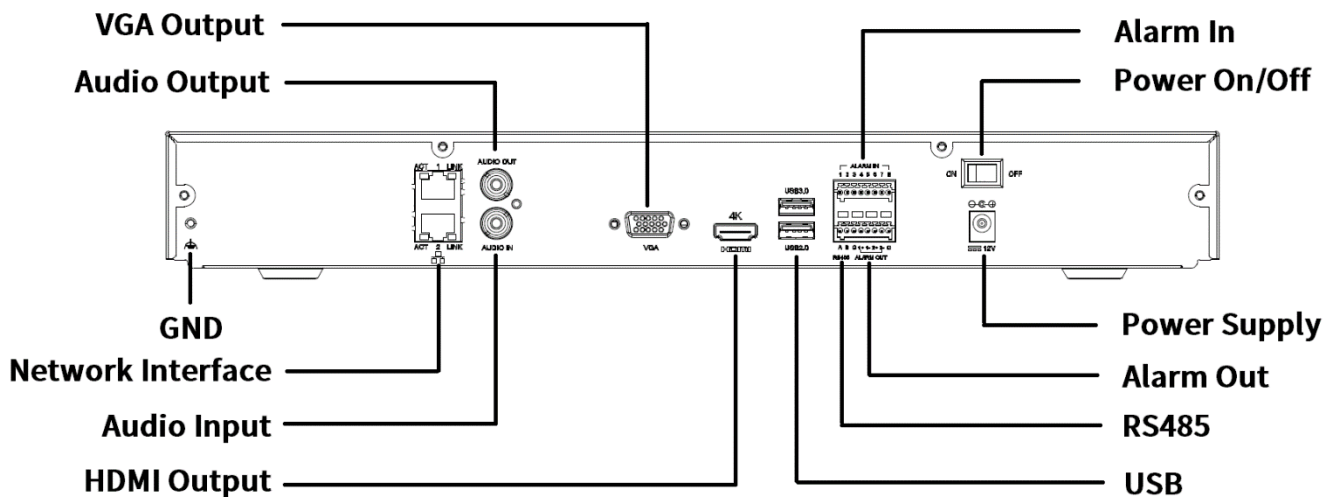
Model	NVR302-09F2
Video/Audio Input	
IP Video Input	9-ch
Two-way Audio Input	1-ch, RCA
Network	
Incoming Bandwidth	320Mbps
Outgoing Bandwidth	320Mbps
Remote Users	128
Protocols	P2P, IPv4/IPv6, TCP/IP, RTP, RTSP, RTCP, HTTP, HTTPS, DNS, DHCP, NTP, SMTP, SNMP, UPnP, NFS, PPPoE
Client	EZStation EZView EZLive IOS, Android (Smart Phone)
Web Browser & Monitoring	Plug-in required live view: IE9+, Chrome 41 and below, Firefox 52 and below Plug-in free live view: Chrome 57.0+, Firefox 58.0+, Edge 16+, Safari 11+
Video/Audio Output	
HDMI/VGA Output	VGA: 1920x1080p/60Hz, 1920x1080p/50Hz, 1600x1200/60Hz, 1280x1024/60Hz, 1280x720/60Hz, 1024x768/60Hz HDMI: 4K (3840x2160)/30Hz, 1920x1080p/60Hz, 1920x1080p/50Hz, 1280x1024/60Hz, 1280x720/60Hz, 1024x768/60Hz
Recording Resolution	12MP/8MP/6MP/5MP/4MP/3MP/1080p/960p/720p/D1/2CIF/CIF
Audio Output	1-ch, RCA
Audio Compression	G.711A, G.711U
Synchronous Playback	16-ch
Live View Display	1/4/6/8/9
Video Playback Speed	1x, 2x, 4x, 8x, 16x
Corridor Mode Screen	3/4/5/7/9
Snapshot	
FTP/Schedule/Event Snapshot	16-ch snapshot, up to 1080P resolution
Decoding	
Decoding Format	Ultra H.265, H.265, H.264 (Configurable)
Display/Live View/Playback	12MP/8MP/6MP/5MP/4MP/3MP/1080p/960p/720p/D1/2CIF/CIF
Recording Capability	1 x 12MP@30, 2 x 4K@30, 5 x 4MP@30, 9 x 1080P@30
Video Streaming	Dual Steaming (Main Stream & Sub Stream)
Hard Disk	
SATA	2 SATA interfaces
Capacity	up to 6TB for each HDD
HDD Type	Enterprise / Surveillance Grade
Video footage Backup speed	Fast and Easy

Disk Group	Support
eSATA	1 eSATA interface (N/A)
Smart	
VCA Detection by Camera	Face Detection, Motion Detection, Face Comparison, Intrusion Detection, Cross Line Detection, Enter Area, Leave Area, Defocus Detection, Scene Change Detection, Object Left Behind, Object Removed, Auto Tracking
VCA Search	Face Search, Face Comparison Search, Behavior Search, Vehicle Search
People Counting	People Counting
Smart Intrusion Prevention (SIP), Face Detection, Face comparison, Vehicle Detection by Camera	Total 8-ch
General Alarm	
General Alarm	Motion, Tampering, Human Body Detection, Video Loss, Input Alarm, Audio Detection
Alert Alarm	IP Conflict, Network Disconnected, Disk Offline , Disk Abnormal, Illegal Access, Hard Disk Space Low, Hard Disk Full, Recording/Snapshot Abnormal
Processor & OS	
Processor	Intel Quad Core Processor
Operating System	Embedded Linux Kernel
Media Security	AES 256-Bit, TLS Encryption, RTSP Encryption, HTTPS Encryption
External Interface	
Network Interface	2 RJ45 10M/100M/1000M self-adaptive Ethernet Interfaces
USB Interface	Front panel: 1 x USB2.0,Rear panel: 1 x USB2.0, 1 x USB3.0
RS485	1
Alarm In	8-ch
Alarm Out	2-ch
General	
Power Supply	12VDC/3.3A Power Consumption: ≤ 12 W (without HDD)
Working Environment	-10°C~+ 55°C (+14°F~+131°F), Humidity ≤ 90% RH (non-condensing)
Dimensions (W×D×H)	380mm × 315mm × 53mm (15.0" × 12.4"× 2.1")
Weight (without HDD)	≤1.8Kg (3.97lb)
Certification	
Certification	UL CE FCC RoHS WEEE

Dimensions



Rear Panel



Zhejiang Uniview Technologies Co., Ltd.

Building No.10, Wanlun Science Park, Jiangling Road 88, Binjiang District, Hangzhou, Zhejiang, China

Email: overseasbusiness@uniview.com; globalsupport@uniview.com

<http://www.uniview.com>

©2022 Zhejiang Uniview Technologies Co., Ltd. All rights reserved.

* Product specifications and availability are subject to change without notice.