

# Network Video Recorder

## NVR302-16EZB2



### Key Features

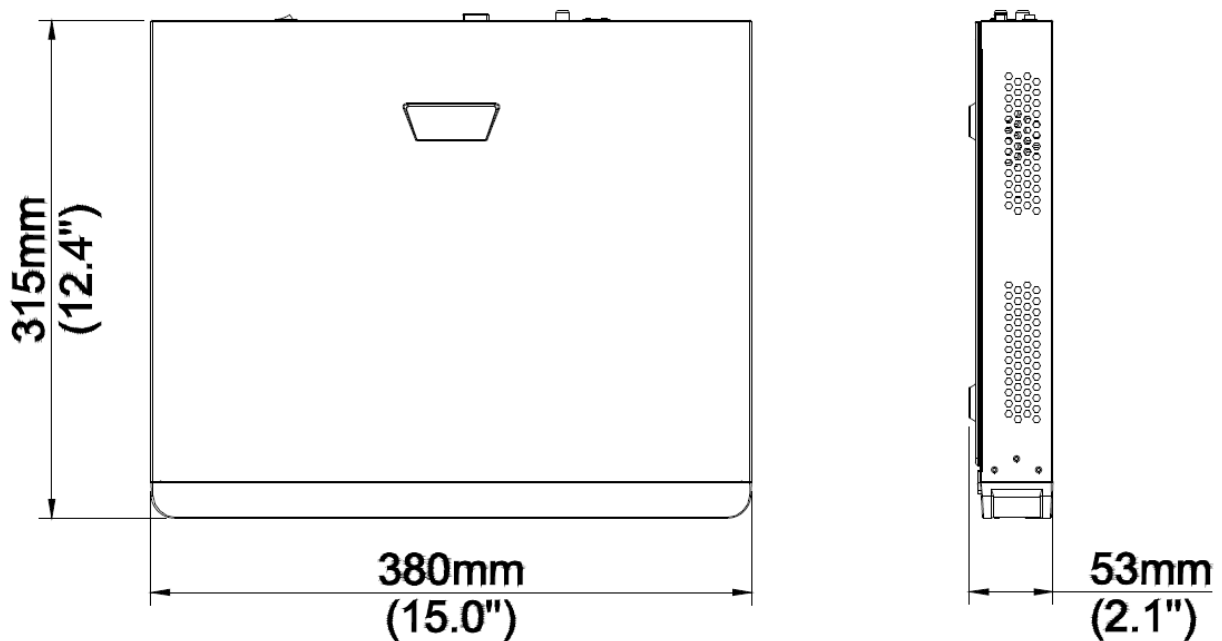
- Support Ultra H.265/H.265/H.264 video formats
- 16-channel input
- Supports mainstream cameras of ONVIF conformance (Profile S, Profile G, Profile T) and RTSP protocols
- Support 2-ch HDMI, 2-ch VGA. HDMI up to 4K (3840x2160) resolution
- HDMI and VGA independent outputs provided
- Up to 12 Megapixels resolution recording
- 2 SATA HDDs, Up to 6TB for each HDD
- Various fisheye dewarping modes for live view and playback for both web interface and GUI
- ANR technology to enhance the storage reliability when the network is disconnected
- Support cloud upgrade

## Specifications

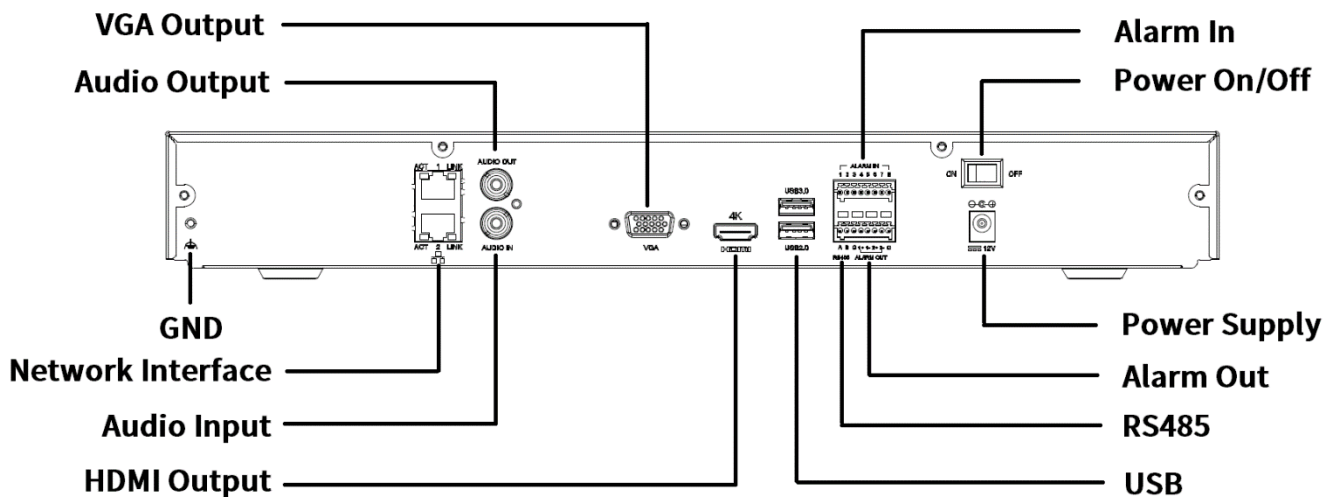
<b>Model</b>	NVR302-16EZB2
<b>Video/Audio Input</b>	
IP Video Input	16-ch
Two-way Audio Input	1-ch, RCA (2.0 Vp-p, 1 kΩ)
<b>Network</b>	
Incoming Bandwidth	320Mbps
Outgoing Bandwidth	320Mbps
Remote Users	128
Protocols	TCP/IP, P2P, UPnP, NTP, DHCP, PPPoE, HTTP, HTTPS, DNS, DDNS, SNMP, SMTP, NFS, NTP, SADP, iSCSI
<b>Video/Audio Output</b>	
HDMI1/VGA1 Output	HDMI1: 4K (3840x2160)/60Hz, 4K (3840x2160)/30Hz, 2K(2560x1440)/60Hz, 1920x1080p/60Hz, 1920x1080p/50Hz, 1600x1200/60Hz, 1280x1024/60Hz, 1280x720/60Hz, 1024x768/60Hz VGA1: 2K(2560x1440)/60Hz, 1920x1080p/60Hz, 1920x1080p/50Hz, 1600x1200/60Hz, 1280x1024/60Hz, 1280x720/60Hz, 1024x768/60Hz
HDMI2/VGA2 Output	1920x1080p/60Hz, 1920x1080p/50Hz, 1600x1200/60Hz, 1280x1024/60Hz, 1280x720/60Hz, 1024x768/60Hz
Recording Resolution	12MP/8MP/6MP/5MP/4MP/3MP/1080p/960p/720p/D1/2CIF/CIF
Audio Output	2-ch, RCA (2.0 Vp-p, 1 kΩ)
Audio Compression	G.711A, G.711U
Synchronous Playback	16-ch
Live View Display	1/4/6/8/9/16
Corridor Mode Screen	3/4/5/7/9/10/12/16
<b>Snapshot</b>	
FTP/Schedule/Event Snapshot	16-ch snapshot, up to 1080P resolution
<b>Decoding</b>	
Decoding Format	Ultra H.265, H.265, H.264, MPEG4
Live View/Playback	12MP/8MP/6MP/5MP/4MP/3MP/1080p/960p/720p/D1/2CIF/CIF/QCIF
Capability	2x 12MP@30, 2 x 4K@30, 5 x 4MP@30, 10 x 1080P@30, 16 x 720P@30
<b>Hard Disk</b>	
SATA	2 SATA interfaces
Capacity	Up to 6TB for each HDD
eSATA	NA
Disk Group	Support
<b>Smart</b>	
VCA Detection by Camera	Face Detection, Face Comparison, Intrusion Detection, Cross Line Detection, Audio Detection, Enter Area, Leave Area, Defocus Detection, Scene Change Detection, Object Left Behind, Object Removed, Auto Tracking
VCA Search	Face Search, Face Comparison Search, Behavior Search, Vehicle Search
People Counting	People Counting
Smart Intrusion Prevention	Total 8-ch

(SIP), Face Detection, Face comparison, Vehicle Detection by Camera	
<b>General Alarm</b>	
General Alarm	Motion, Tampering, Human Body Detection, Video Loss, Input Alarm, Audio Detection
Alert Alarm	IP Conflict, Network Disconnected, Disk Offline , Disk Abnormal, Illegal Access, Hard Disk Space Low, Hard Disk Full, Recording/Snapshot Abnormal
<b>External Interface</b>	
Network Interface	2 RJ45 10M/100M/1000M self-adaptive Ethernet Interfaces
USB Interface	Front panel: 1 x USB2.0, Rear panel: 1 x USB2.0 & 1 x USB3.0
RS232	NA
Serial Interface	RS-485, Keyboard
Alarm In	8-ch
Alarm Out	2-ch
<b>General</b>	
Power Supply	12VDC/3.3A; AC: 100 to 240 VAC, 50 to 60 Hz Max. Power: 200W Power Consumption: ≤ 12 W (without HDD)
Working Environment	-10°C~+ 55°C (+14°F~+131°F), Humidity ≤ 90% RH (non-condensing)
Dimensions (W×D×H)	380mm × 315mm × 53mm (15.0" × 12.4"× 2.1")
Weight (without HDD)	≤1.8Kg (3.97lb)
<b>Certification</b>	
Certification	UL, CE, FCC RoHS WEEE

## Dimensions



## Rear Panel



Zhejiang Uniview Technologies Co., Ltd.

Building No.10, Wanlun Science Park, Jiangling Road 88, Binjiang District, Hangzhou, Zhejiang, China

Email: [overseasbusiness@uniview.com](mailto:overseasbusiness@uniview.com); [globalsupport@uniview.com](mailto:globalsupport@uniview.com)

<http://www.uniview.com>

©2022 Zhejiang Uniview Technologies Co., Ltd. All rights reserved.

\* Product specifications and availability are subject to change without notice.