

22 " LED monitor

MW-LC22IS2



Features

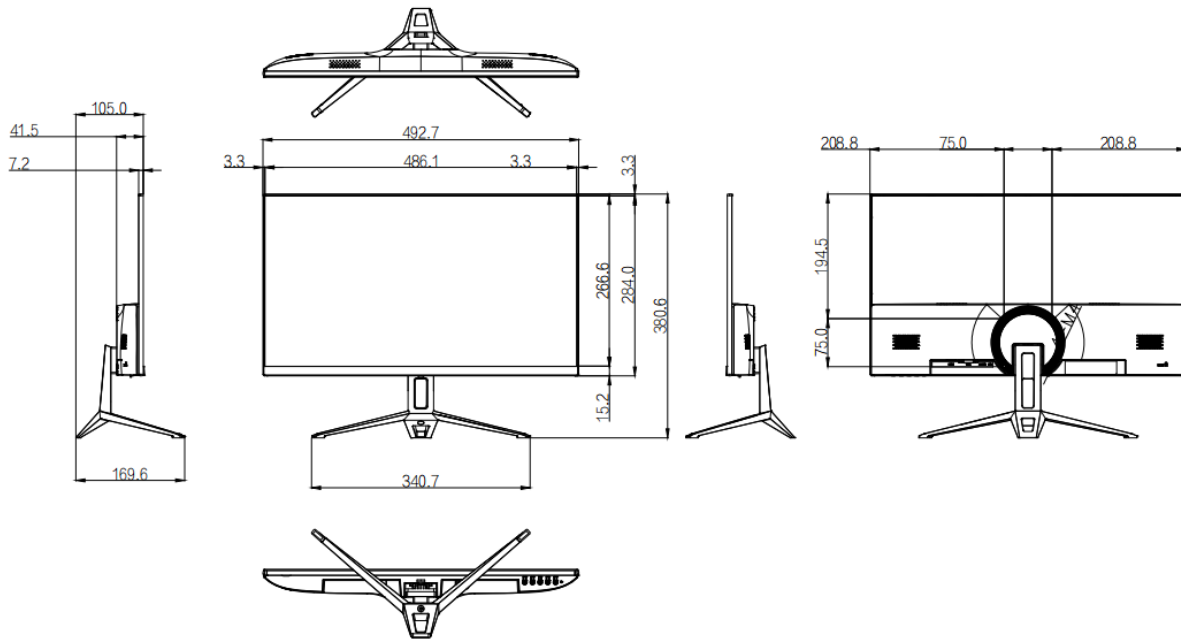
- Resolution is up to at 1920*1080.
- Refresh rate up to 100Hz.
- 178° horizontal and vertical viewing angle.
- Screen can reduce blue light, protect eyes.
- Plastic body with ultra-narrow bezel.
- Stable structure design, highly durable.
- Automatically detect if the signal is connected successful.

Specifications

Panel	Description
Panel Type	LED Backlight
Panel Size	22
Resolution	1920*1080
Color Support	16.7M
Brightness (cd/m ²)	250
Contrast Ratio	1000:1
Refresh Rate	100Hz
Response Time (ms)	OD 5ms

Viewing Angle (H/V)	Horizontal 178° , Vertical 178°
Interface	Description
Video Input	1* HDMI、1*VGA
Speaker	Description
Speaker	2*1 W
VESA	Description
VESA (mm)	75*75
General	Description
Input Voltage	DC 12V, 2A
Typical power consumption (W)	≤22 (on)
Standby power consumption (W)	≤0.5(Standby)
Product Dimensions (W*H*D) (mm)	492.7*284.0*41.5
Package Dimensions (W*H*D) (mm)	598*99*366
Weight (Kg)	Net Weight:2.13 Gross Weight:2.94
Operation Temperature	0° C ~ 40 ° C
Operating Humidity	10%~85% (No Condensation)
Storage Temperature	-10° C ~ 50° C
Storage Humidity	10%~90% (No Condensation)
Standard	1* Monitor base、1*HDMI cable、1* Power adapter、1*Quick Guide (Adjust according to customer needs)

Dimensions



Zhejiang Uniview Technologies Co., Ltd.

No. 369, Xietong Road, Xixing Sub-district, Binjiang District, Hangzhou City, 310051, Zhejiang Province, China

Email: overseasbusiness@uniview.com; globalsupport@uniview.com

<http://www.uniview.com>

©2023 Zhejiang Uniview Technologies Co., Ltd. All rights reserved.

*Product specifications and availability are subject to change without notice.

*Despite our best efforts, technical or typographical errors may exist in this document. Uniview cannot be held responsible for any such errors and reserves the right to change the contents of this document without prior notice.