

UNV LED Strobe & Xenon Flash Illuminator

LAMP-H25@B-OS



Features

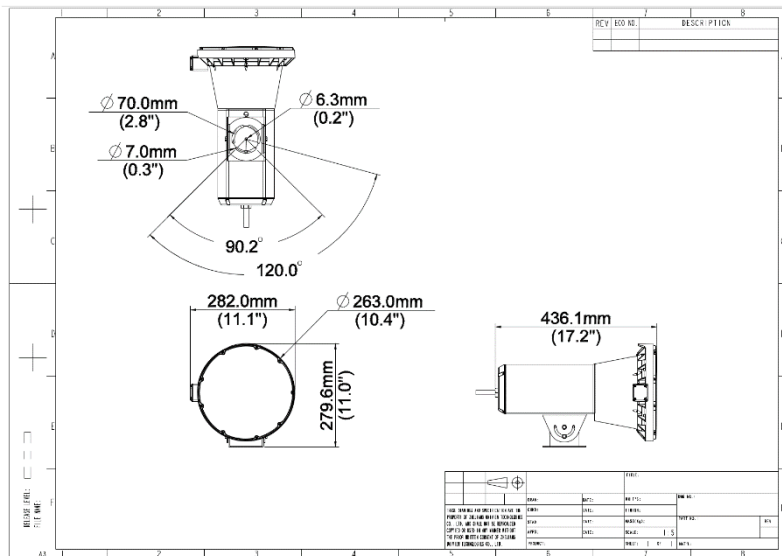
- 16 high-power warm light LEDs.
- The LED flashes synchronously when the xenon light flashes.
- Adjustable flash brightness.
- Unique design and high-performance dedicated components ensure reliable operation in a variety of complex conditions.
- Long lifetime of over 10 million times.
- Stable brightness withstands fluctuations in the power supply voltage.

Specifications

Specification	Description
Light Source	Original high-power warm light LED
Strobe luminous flux	1400lm@20% duty cycle
Color temperature	LED 3000±200K
Strobe power	34.5W@3A/40% (active power)
LEDs	16
Strobe illumination angle	10°
Trigger level	4V to 6V (active high)
Trigger Mode	TTL level / switch
Trigger Frequency	40Hz to 200Hz

Trigger duty ratio	1% to 40%
Flash duration	370us by default
Exposure index	40 to 64 (GN)
Response time	≤55ms (220V)
Optimal illumination distance	Strobe: 16m to 29m
Interface	1 power input; 1 strobe trigger input
Power	AC176V to 264V, 50/60Hz
Weight	1.4kg
Operating temperature	-40° C to +70° C
Operating humidity	5% to 95% RH (non-condensing)
Dimensions (L×W×H)	436.1mm*282mm*279.6mm
Ingress protection	IP67
Bracket rotation angle	-90° to +90°
Lifetime	10 million times

Dimensions



Ordering Info

Product Model	Config	Description
LAMP-H25	B-OS	LED Strobe & Xenon Flash Illuminator

Zhejiang Uniview Technologies Co., Ltd.

No. 369, Xietong Road, Xixing Sub-district, Binjiang District, Hangzhou City, 310051, Zhejiang Province, China

Email: overseasbusiness@uniview.com; globalsupport@uniview.com

<http://www.uniview.com>

©2023-2024 Zhejiang Uniview Technologies Co., Ltd. All rights reserved.

*Product specifications and availability are subject to change without notice.

*Despite our best efforts, technical or typographical errors may exist in this document. Uniview cannot be held responsible for any such errors and reserves the right to change the contents of this document without prior notice.