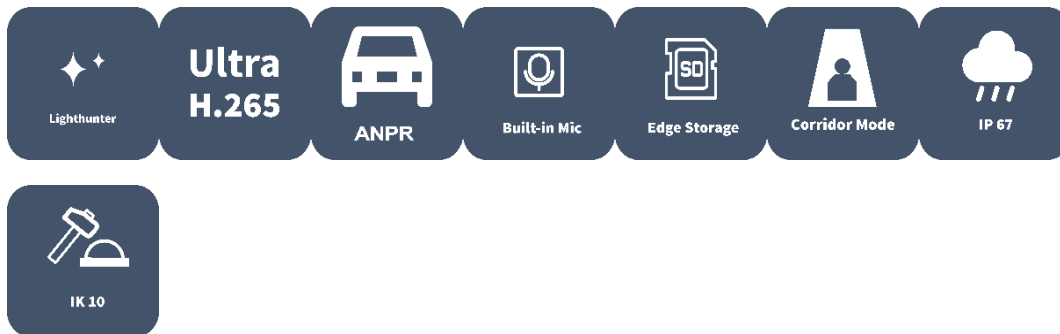


# 4MP ANPR LightHunter Network Bullet Camera

IPS-HC264



## Features

- High quality image with 4MP, 1/1.8" CMOS sensor
- 2688\*1520@60fps in the main stream, which can offering more details of fast moving objects
- Ultra 265, H.265, H.264, MJPEG
- ANPR supports capturing and recognizing car license plate according to the set country or area
- Adjustable far and near lights, suitable for different capture situation
- 8~32mm focal lens, suitable for road scenarios
- Wise-ISP technology, comprehensive improvement in image quality
- Audio 2 in and 1 out, Alarm 3 in and 2 out
- Built in heater, support normal start up at low temperature
- Micro SD, up to 512 GB

- DC12V or PoE (IEEE 802.3at) power supply
- IP67, IK10

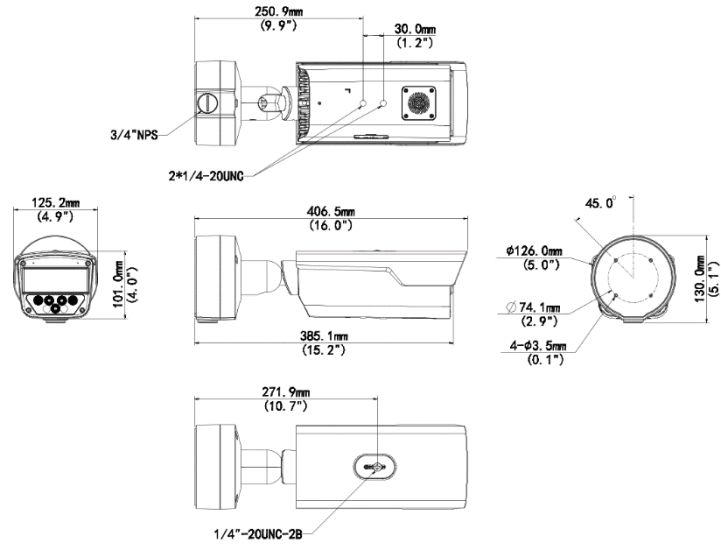
## Specifications

Camera	Description
Sensor	1/1.8"CMOS
Min. Illumination	HDX4-IR-I1: Colour:0.0005 lux (F1.6, AGC ON) B/W:0.0003 lux (F1.6, AGC ON) 0 lux with IR HDX4-WH-I1: Colour:0.0005 lux (F1.6, AGC ON) 0 lux with Light
Day/Night	HDX4-IR-I1:IR-cut filter with auto switch (ICR)
Shutter	Auto/Manual, 1 ~ 1/100000s
WDR	140dB
S/N	>56dB
Lens	Description
Lens type	8~32mm
Digital Zoom	16X
Optical Zoom	4X
Iris	F1.6
Iris Type	P-iris
Field of View (H)	42.6°~15.2°
Field of View (V)	23.5°~8.9°
Field of View (D)	52.4°~17.9°
DORI	Description
DORI Distance (Detect)	124.1m(407.3ft) ~496.6m(1629.1ft)
DORI Distance (Observe)	49.7m(162.9ft) ~198.6m(651.6ft)
DORI Distance (Recognize)	24.8m(81.5ft) ~99.3m(325.8ft)
DORI Distance (Identify)	12.4m(40.7ft) ~49.7m(162.9ft)
Illuminator	Description
Illumination Distance (Warm Light)	HDX4-WH-I1:40m
Illumination Distance (IR)	HDX4-IR-I1:40m
Wavelength	HDX4-IR-I1:850nm
Video	Description
Video Compression	Ultra 265; H.265; H.264; MJPEG
Frame Rate—Main Stream	4MP (2688*1520), Max 60fps
Frame Rate—Sub Stream	2MP (1920*1080), Max 60fps;
Frame Rate—Third Stream	D1 (720*576), Max 60fps

Video Bit Rate	128 Kbps~16 Mbps
U-code	Support
ROI	Up to 8 areas
Video stream	Triple streams
OSD	Up to 10 OSDs
Privacy Mask	Up to 8 areas (8 blacks / 8 mosaics)
<b>Image</b>	<b>Description</b>
White Balance	Auto, Outdoor, Fine Tune, Sodium Lamp, Locked, Auto2
Digital noise reduction	2D/3D DNR
Smart IR	HDX4-IR-I1: Support HDX4-WH-I1: N/A
Flip	Normal, Flip Vertical, Flip Horizontal, 180°, 90° Clockwise, 90° Anti-clockwise
HLC	Support
Defog	Digital Defog
<b>Intelligent</b>	<b>Description</b>
ANPR	Up to 4 car lanes can be set: Support pedestrian, motor vehicle and non-motor vehicle (Motorbike) image capturing; Support recognizing car license plate more accurately by choosing different country/region; Support attribute collection: Plate Number, Vehicle Type, Vehicle Color, Vehicle Brand, with Nepalese Number plate detection and Recognition. Supports multiple countries, 90% capture accuracy.
Vehicle Detection	30m
Lane Coverage	Upto 4 lanes
Vehicle Detection Speed	5-120km/h
<b>Events</b>	<b>Description</b>
Basic Detection	Motion detection, Audio detection, Tampering alarm
General Function	Watermark, IP Address Filtering, Access Policy, ARP Protection, RTSP Authentication, User Authentication, HTTP authentication, Alarm input, Alarm output
<b>Audio</b>	<b>Description</b>
Audio Compression	G.711U, G.711A
Audio Bitrate	128 Kbps
Two-way Audio	Support
Suppression	Support
Sampling Rate	16KHZ
<b>Storage</b>	<b>Description</b>
Edge Storage	Micro SD, up to 512 GB
Network Storage	ANR, NAS(NFS)
<b>Network</b>	<b>Description</b>
Protocols	IGMP; RTP; SMTP; IPv4; IPv6; ICMP; ARP; TCP; UDP; DHCP; PPPoE; RTSP; RTCP; RTMP; DNS; DDNS; NTP; FTP; UPnP; HTTP; HTTPS; 802.1x; SNMP; QoS; SSL/TLS; SSH
Compatible Integration	ONVIF (Profile S, Profile G, Profile T, Profile M); API; SDK
User/Host	Up to 32 users. 3 user levels: administrator, common user and operator

Security	Password protection; Strong password; HTTPS encryption; Export operation logs; Basic and digest authentication for RTSP; Digest authentication for HTTP; TLS 1.2; WSSE and digest authentication for ONVIF; TLS1.3
Client	EZStation, EZLive, EZView
Web Browser	Plug-in required live view: IE 10 and above, Chrome 45 and above, Firefox 52 and above, Edge 79 and above
<b>Interface</b>	<b>Description</b>
Audio I/O	2/1
Alarm I/O	3/2
Serial Port	1 channel RS485 interface
Built-in Mic	Support, built-in mic*2
Built-in Speaker	Support
Network	1 * RJ45 10M/100M/1000M Base-TX Ethernet
<b>Certification</b>	<b>Description</b>
EMC	CE-EMC (EN 55032: 2015+A1:2020, EN 61000-3-3: 2013+A1: 2019, EN IEC 61000-3-2: 2019+A1: 2021, EN 55035: 2017+A11:2020) FCC (FCC CFR 47 part15 B, ANSI C63.4-2014)
Safety	CE LVD (EN 62368-1:2014+A11:2017) UL (UL 62368-1, 2nd Ed., Issue Date: 2014-12-01)
Environment	CE-RoHS (2011/65/EU;(EU)2015/863); WEEE (2012/19/EU); Reach (Regulation (EC) No 1907/2006)
Protection	IP67 (IEC 60529:1989+AMD1:1999+AMD2:2013) IK10 (IEC 62262:2002)
<b>General</b>	<b>Description</b>
Power	DC12V (±25%), PoE+ (IEEE 802.3at)
Power Consumption	HDX4-IR-I1: Max 19W HDX4-WH-I1: Max 21W
Power Interface	Ø 5.5mm coaxial power plug
Dimensions	406 x 125 x 130mm (16.0" x 4.9" x 5.1" )
Weight	1.86Kg(4.10lb)
Working Environment	-40℃ ~ 70℃ (-40°F ~ 158°F), Humidity: ≤95% RH (non-condensing)
Surge protection	6KV

## Dimensions



**Zhejiang Uniview Technologies Co., Ltd.**

No. 369, Xietong Road, Xixing Sub-district, Binjiang District, Hangzhou City, 310051, Zhejiang Province, China

Email: [overseasbusiness@uniview.com](mailto:overseasbusiness@uniview.com); [globalsupport@uniview.com](mailto:globalsupport@uniview.com)

<http://www.uniview.com>

©2024 Zhejiang Uniview Technologies Co., Ltd. All rights reserved.

\*Product specifications and availability are subject to change without notice.

\*Despite our best efforts, technical or typographical errors may exist in this document. Uniview cannot be held responsible for any such errors and reserves the right to change the contents of this document without prior notice.