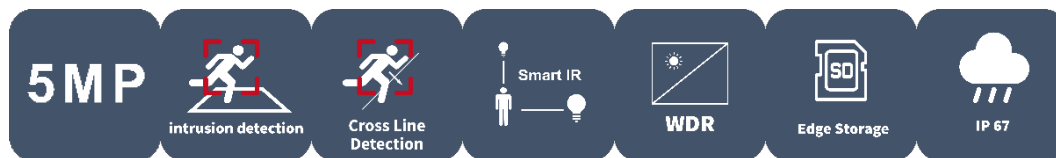


# 5MP HD IR VF Dome Network Camera

IPC3635LB-DZK-H



## Features

- High quality image with 5MP, 1/2.7"CMOS sensor
- 5MP (2880\*1620)@ 25/20fps; 4MP (2560\*1440)@ 25/20fps; 3MP (2304\*1296) @30/25fps; 2MP (1920\*1080) @30/25fps;
- Ultra 265, H.265, H.264, MJPEG
- 120dB true WDR technology enables clear image in strong light scene
- Support 9:16 Corridor Mode
- Smart IR, up to 40m (131ft) IR distance
- Supports 256 G Micro SD card
- IP67 protection
- Support PoE power supply
- 3-Axis

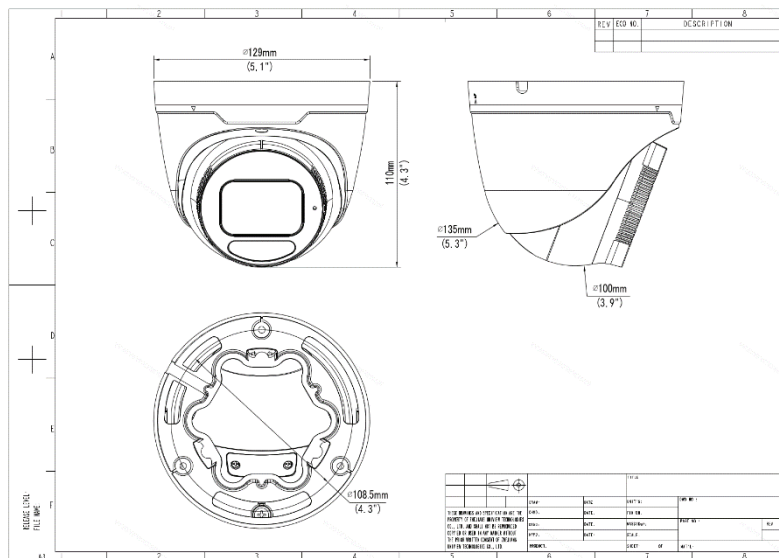
## Specifications

Camera	Description
Resolution	5MP
Sensor	1/2.7"CMOS
Min. Illumination	Colour: 0.001 lux (F1.6, AGC ON) 0 lux with IR on
Day/Night	IR-cut filter with auto switch (ICR)
Shutter	Auto/Manual, 1 ~ 1/100000s
Adjustment angle	Pan: 0° ~ 360° , Tilt: 0° ~ 75° , Rotate: 0° ~ 360°
S/N	>52dB
WDR	120dB
Lens	Description
Lens type	2.8~12mm
Iris Type	Fixed
Iris	F1.6
Field of View (H)	96.4° ~32.7°
Field of View (V)	51.3° ~18.6°
Field of View (D)	101.2° ~37.2°
DORI	Description
DORI Distance ( Lens )	2.8mm, 12mm
DORI Distance ( Detect )	63m(206.7ft), 270.0m(885.8ft)
DORI Distance ( Observe )	25.2m(82.7ft), 108.0m(354.3ft)
DORI Distance ( Recognize )	12.6m(41.3ft), 54.0m(177.2ft)
DORI Distance ( Identify )	6.3m(20.7ft), 27.0m(88.6ft)
Illuminator	Description
Illumination Distance(IR)	40m
Wavelength	850nm
IR On/Off Control	Auto/Manual
Video	Description
Video Compression	Ultra 265; H.265; H.264; MJPEG
H.264 code profile	Baseline profile, Main profile, High profile
Frame Rate	Main Stream: 5MP (2880*1620), Max 25fps;4MP (2560*1440), Max 25fps; 3MP (2304*1296), Max 30fps; 1080P (1920*1080), Max 30fps; Sub Stream: 720P (1280*720), Max 30fps; D1 (720*576), Max 30fps; 640*360,Max 30fps;
Video Bit Rate	128 Kbps~6144 Kbps
U-code	Support
OSD	Up to 4 OSDs
Privacy Mask	Up to 4 areas
ROI	Up to 8 areas

Video stream	Dual streams
<b>Image</b>	<b>Description</b>
White Balance	Auto;Outdoor;Fine Tune;Sodium Lamp;Locked;Auto2
Digital noise reduction	2D/3D DNR
Smart IR	Support
Flip	Normal;Flip Vertical;Flip Horizontal;180° ;90° Clockwise;90° Anti-clockwise
Dewarping	N/A
HLC	Support
BLC	Support
Defog	Digital Defog
<b>Events</b>	<b>Description</b>
Basic Detection	Cross line;intrusion(based on human body detection);Motion detection;Ultra motion detection;Tampering alarm;
General Function	Watermark;IP Address Filtering;Access Policy;ARP Protection;RTSP Authentication;User Authentication;HTTP authentication
<b>Storage</b>	<b>Description</b>
Edge Storage	Micro SD, up to 256GB
Network Storage	ANR;NAS(NFS)
<b>Network</b>	<b>Description</b>
Protocols	IPv4;IGMP;ICMP;ARP;TCP;UDP;DHCP;RTP;RTSP;RTCP;RTMP;DNS;DDNS;NTP;FTP;UPnP;HTTP;HTTPS;SMTP;SSL/TLS;QoS;SNMP
Compatible Integration	ONVIF (Profile S, Profile G, Profile T);API;SDK
User/Host	Up to 32 users, 2 user levels: administrator and common user
Security	Password protection;Strong password;HTTPS encryption;Export operation logs;Basic and digest authentication for RTSP;Digest authentication for HTTP;TLS 1.2;WSSE and digest authentication for ONVIF
Client	EZStation;EZView; EZLive
Web Browser	Plug-in required live view: IE 10 and above, Chrome 45 and above, Firefox 52 and above, Edge 79 and above;Plug-in free live view: Chrome 57.0 and above, Firefox 58.0 and above, Edge 16 and above
<b>Interface</b>	<b>Description</b>
Audio I/O	N/A
Alarm I/O	N/A
Serial Port	N/A
Built-in Speaker	N/A
WIFI	N/A
Network	1 * RJ45 10M/100M Base-TX Ethernet
Video Output	N/A
<b>Certification</b>	<b>Description</b>
EMC	CE-EMC (EN 55032, EN 61000-3-3, EN IEC 61000-3-2, EN 55035) FCC (FCC 47 CFR part15 B)
Safety	CE LVD (EN 62368-1) CB (IEC 62368-1)

	UL/CUL (UL 62368-1, CAN/CSA C22.2 No. 62368-1)
Environment	CE-RoHS (2011/65/EU;(EU)2015/863); WEEE (2012/19/EU);
Protection	IP67 (IEC 60529)
<b>General</b>	<b>Description</b>
Power	DC 12V ±25%, PoE (IEEE 802.3af) Power consumption: Max 7.5W
Power Interface	Ø 5.5mm coaxial power plug
Dimensions	Φ 129 x 110mm (Ø5.1" x 4.3")
Weight	0.66kg(1.46lb)
Material	Metal
Working Environment	-30° C ~ 60° C (-22° F ~ 140° F), Humidity: ≤95% RH (non-condensing)
Storage Environment	-30° C ~ 60° C (-22° F ~ 140° F), Humidity: ≤95% RH (non-condensing)
Surge protection	6KV
Reset button	Support
Web Client Language	4 Languages English, Russian, Spanish, Vietnamese

## Dimensions



## Accessories

TR-JB03-H-IN

Junction Box for Metal Turret Camera(Support wiring from behind)



TR-JB07/WM03-F-IN

Wall Mounting Assembling Bracket with Back Hole for 3 Inch Hemisphere



TR-WM03-B-IN

Wall Mounting Assembling Bracket for 3 Inch Hemisphere



TR-A01-IN

NPT 3/4" Waterproof Cable Gland

TR-UP06-IN

Universal Pole Mounting Bracket



TR-UC08-C

Bullet&Dome Corner Mounting Bracket



TR-SE24-IN

Dome Pendant Mounting Pole 200m



TR-SE24-A-IN

Dome Pendant Mounting Pole 500m



TR-CM24-IN

Dome Pendant Mounting Bracket(Indoor)



**Zhejiang Uniview Technologies Co., Ltd.**

No. 369, Xietong Road, Xixing Sub-district, Binjiang District, Hangzhou City, 310051, Zhejiang Province, China

Email: [overseasbusiness@uniview.com](mailto:overseasbusiness@uniview.com); [globalsupport@uniview.com](mailto:globalsupport@uniview.com)

<http://www.uniview.com>

©2023-2024 Zhejiang Uniview Technologies Co., Ltd. All rights reserved.

\*Product specifications and availability are subject to change without notice.

\*Despite our best efforts, technical or typographical errors may exist in this document. Uniview cannot be held responsible for any such errors and reserves the right to change the contents of this document without prior notice.