

6MP Network IR Fixed Dome Camera

IPC3616SR3-ADPF28(36)(60)M



Key Features

Optics

- Day/night functionality
- Smart IR , up to 30m (98ft) IR distance
- Optical glass window with higher light transmittance
- IR anti-reflection window to increase the infrared transmittance
- 2D/3D DNR (Digital Noise Reduction)
- Up to 120dB WDR (Wide Dynamic Range)

Compression

- Ultra 265, H.264, MJPEG
- Embedded smart algorithm
- Triple streams

Network

- ONVIF Conformance

Structure

- Wide temperature range: -35°C ~ 60°C (-31°F ~ 140°F)

Wide voltage range of $\pm 25\%$

IP67

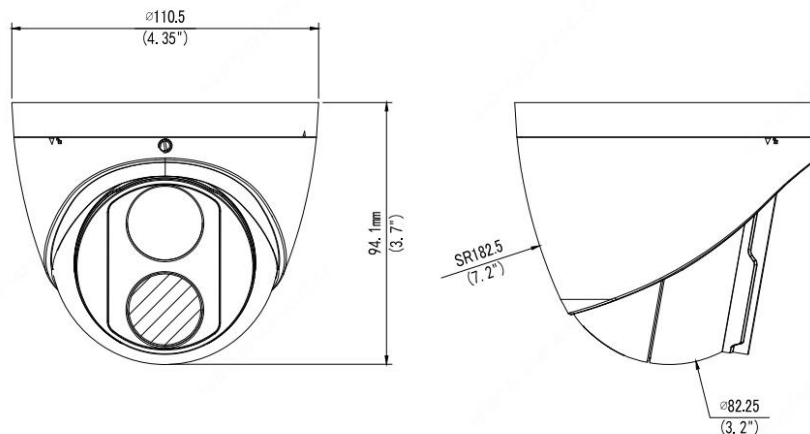
3-Axis

Specifications

	IPC3616SR3-ADPF28M	IPC3616SR3-ADPF36M	IPC3616SR3-ADPF60M		
Camera					
Sensor	1/2.7", 6.0 megapixel, progressive scan, CMOS				
Lens	2.8mm@F2.0	3.6mm@F2.0	6.0mm@F2.0		
Angle of view (H)	94.7°	76.8°	44.0°		
Angle of view (V)	55.9°	40.7°	27.8°		
Angle of view (O)	123.1°	99.8°	54.1°		
DORI Distance	Lens (mm)	Detect (m)	Observe (m)	Recognize (m)	Identify (m)
	2.8	86.9'	34.8	17.4	8.7
	3.6	111.7	44.7	22.3	11.2
	6.0	186.2	74.5	37.2	18.6
Adjustment Range	Pan: 0° ~ 360°		Tilt: 0° ~ 90°	Rotation: 0° ~ 360°	
Shutter	Auto/Manual, 1 ~ 1/100000s				
Minimum Illumination	Colour: 0.03Lux (F2.0, AGC ON) 0Lux with IR				
Day/Night	IR-cut filter with auto switch (ICR)				
Digital noise reduction	2D/3D DNR				
S/N	>52dB				
IR Range	Up to 30m (98ft) IR range				
Defog	Digital Defog				
WDR	120dB				
Video					
Video Compression	Ultra 265, H.264, MJPEG				
H.264 code profile	Baseline profile, Main Profile, High Profile				
Frame Rate	Main Stream:6MP(3072*2048) : Max. 25 fps; Sub Stream:1080P (1920*1080): Max. 25 fps Third Stream:D1 (720*576): Max. 25 fps				
HLC	Supported				
BLC	Supported				
OSD	Up to 8 OSDs				
Privacy Mask	Up to 8 areas				
ROI	Up to 8 areas				
Motion Detection	Up to 4 areas				
Smart					
Behavior Detection	Intrusion, cross line, motion detection				
Intrusion	Enter and loiter in a pre-defined virtual region				
cross line	Cross a pre-defined virtual line				

motion detection	Moving within a pre-defined virtual region
Recognition	Face detection, Audio detection
Intelligent Identification	Object Left, Object Moving
Intelligent Identification	Defocus, Scene Change
Statistical Analysis	People counting
Audio	
Audio Compression	G.711
Built-in Mic	Supported
Storage	
Edge Storage	Micro SD, up to 256GB
Network Storage	ANR
Network	
Protocols	IPv4, IGMP, ICMP, ARP, TCP, UDP, DHCP, RTP, RTSP, RTCP, DNS, DDNS, NTP, FTP, UPnP, HTTP, HTTPS, SMTP, SSL, QoS
Compatible Integration	ONVIF (Profile S, Profile G, Profile T), API
Interface	
Network	10M/100M Base-TX Ethernet
General	
Power	DC 12V±25%, PoE (IEEE 802.3af)
	Power consumption: Max 5.5W
Dimensions (∅ x H)	∅110.5 x 94.1mm (∅4.4" x 3.7")
Weight	0.44kg (0.97lb)
Operating Conditions	-35°C ~ 60°C (-31°F ~ 140°F), Humidity: ≤95% RH (non-condensing)
Ingress Protection	IP67

Dimensions



Zhejiang Uniview Technologies Co., Ltd.

Building No.10, Wanlun Science Park, Jiangling Road 88, Binjiang District, Hangzhou, Zhejiang, China (310051)

Email: overseasbusiness@uniview.com; globalsupport@uniview.com

<http://www.uniview.com>

©2019 Zhejiang Uniview Technologies Co., Ltd. All rights reserved.

*Product specifications and availability are subject to change without notice.