

# 6MP HD Dual Illuminators ColorHunter Fixed Eyeball Network Camera

IPC3616LE-ADF28-WL



## Key Features



- High quality image with 6MP, 1/2.7"CMOS sensor
- 6MP (3200\*1800)@ 20fps; 4MP (2560\*1440)@ 30/25fps; 3MP (2304\*1296) @30/25fps; 2MP (1920\*1080) @30/25fps
- Ultra 265, H.265, H.264, MJPEG
- Support Human Body Detection
- Colorhunter technology ensures 24-hour full-color images
- 120dB true WDR technology enables clear image in strong light scene
- Support 9:16 Corridor Mode
- Built-in Mic
- Smart IR, up to 30m (98ft) IR distance
- IP67 protection
- Support PoE power supply

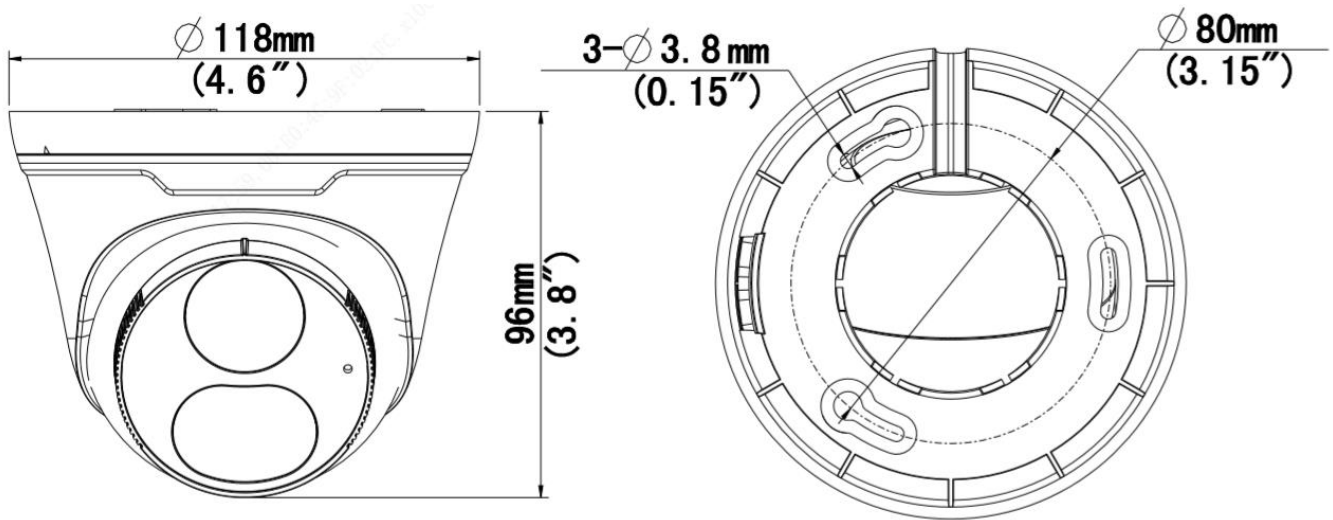
## Specifications

IPC3616LE-ADF28-WL					
<b>Camera</b>					
Sensor	1/2.7", 5.0 megapixel, progressive scan, CMOS				
Minimum Illumination	Colour: 0.003Lux (F1.6, AGC ON) 0 lux with IR/LED on				
Day/Night	IR-cut filter with auto switch (ICR)				
Shutter	Auto/Manual, 1 ~ 1/100000s				
Adjustment angle	Pan: 0° ~ 360°	Tilt: 0° ~ 80°	Rotate: 0° ~ 360°		
WDR	120dB				
S/N	>56dB				
<b>Lens</b>					
Lens type	2.8mm@F1.6				
Iris	Fixed				
Field of View (H)	113.4°				
Field of View (V)	59.4°				
Field of View (D)	121.7°				
<b>DORI</b>					
DORI Distance	Lens (mm)	Detect (m)	Observe (m)	Recognize (m)	Identify (m)
	2.8	63.0	25.2	12.6	6.3
<b>Illuminator</b>					
IR Range	Up to 30m (98ft) IR range				
LED Distance	Up to 10m (32ft)				
Wavelength	850nm				
IR On/Off Control	Auto/Manual				
<b>Video</b>					
Video Compression	Ultra 265, H.265, H.264, MJPEG				
H.264 code profile	Baseline profile, Main profile, High profile				
Frame Rate	Main Stream: 6MP (3200*1800), Max 20fps; 4MP (2560*1440), Max 30fps; 3MP (2304*1296), Max 30fps; 1080P (1920*1080), Max 30fps; Sub Stream: 720P (1280*720), Max 30fps; D1 (720*576), Max 30fps; 640*360, Max 30fps; Third Stream: D1 (720*576), Max 30fps; 640*360, Max 30fps; 2CIF(704*288), Max 30fps; CIF(352*288), Max 30fps;				
Video Bit Rate	128 Kbps~16 Mbps				
U-code	Support				
OSD	Up to 8 OSDs				
Privacy Mask	Up to 4 areas				
ROI	Up to 8 areas				
Video Stream	Triple streams				
<b>Image</b>					
White Balance	Auto/Outdoor/Fine Tune/Sodium Lamp/Locked/Auto2				
Digital Noise Reduction	2D/3D DNR				
Smart IR	Support				
Flip	Normal/Vertical/Horizontal/180°/90°Clockwise/90°Anti-clockwise				
Dewarping	N/A				

HLC	Support
BLC	Support
Defog	Digital Defog
<b>Intelligent</b>	
Behavior Detection	Human Body Detection
<b>Events</b>	
Basic Detection	Motion detection, Tampering alarm, Audio detection
General Function	Watermark, IP address filtering, access Policy, ARP protection, RTSP authentication, user authentication
<b>Audio</b>	
Audio Compression	G.711U, G.711A
Audio Bitrate	64 Kbps
Two-way Audio	N/A
Suppression	Support
Sampling Rate	8KHZ
<b>Storage</b>	
Edge Storage	N/A
Network Storage	N/A
<b>Network</b>	
Protocols	IPv4, IPv6, IGMP, ICMP, ARP, TCP, UDP, DHCP, PPPoE, RTP, RTSP, RTCP, DNS, DDNS, NTP, FTP, UPnP, HTTP, HTTPS, 802.1x, QoS, RTMP,SSL/TLS, SSH
Compatible Integration	ONVIF (Profile S, Profile T), API,SDK
User/Host	Up to 32 users. 2 user levels: administrator and common user
Security	Password protection, Strong password, HTTPS encryption, Export operation logs, Basic and digest authentication for RTSP, Digest authentication for HTTP, TLS 1.2, WSSE and digest authentication for ONVIF
Client	EZStation EZView EZLive
Web Browser	Plug-in required live view: IE 10 and above, Chrome 45 and above, Firefox 52 and above, Edge 79 and above
	Plug-in free live view: Chrome 57.0 and above, Firefox 58.0 and above, Edge 16 and above
<b>Interface</b>	
Audio I/O	N/A
Alarm I/O	N/A
RS485	N/A
Built-in Mic	Support
Built-in Speaker	N/A
WIFI	N/A
Network	1 * RJ45 10M/100M Base-TX Ethernet
Video Output	N/A
<b>Certifications</b>	
Protection	IP67 (IEC 60529:1989+AMD1:1999+AMD2:2013)
<b>General</b>	
Power	DC 12V±25%, PoE (IEEE 802.3af)
	Power consumption: Max 5W
Power Interface	∅ 5.5mm coaxial power plug
Dimensions (∅ x H)	∅118 x 96mm (∅4.6" x 3.8")

Weight	0.3kg (0.66lb)
Material	Metal + Plastic
Working Environment	-30°C ~ 55°C (-22°F ~ 131°F), Humidity: ≤95% RH (non-condensing)
Storage Environment	-30°C ~ 55°C (-22°F ~ 131°F), Humidity: ≤95% RH (non-condensing)
Surge Protection	4KV
Reset Button	N/A

## Dimensions



### Zhejiang Uniview Technologies Co., Ltd.

Building No. 369, Xietong Road, Xixing Sub-district, Binjiang District, Hangzhou City, Zhejiang Province, China, 310051

Email: [overseasbusiness@uniview.com](mailto:overseasbusiness@uniview.com); [globalsupport@uniview.com](mailto:globalsupport@uniview.com)

<http://www.uniview.com>

©2023 Zhejiang Uniview Technologies Co., Ltd. All rights reserved.

\*Product specifications and availability are subject to change without notice.