

5MP HD Intelligent Light and Audible Warning Fixed Eyeball Network Camera

IPC3615SB-DF28(40)KMC-I0



Features

- High quality image with 5MP, 1/2.7"CMOS sensor
- 5MP (2880*1620)@ 30/25fps; 4MP (2560*1440)@ 30/25fps; 3MP (2304*1296) @30/25fps; 2MP (1920*1080) @30/25fps
- Ultra 265, H.265, H.264, MJPEG
- Smart intrusion prevention, include cross line, intrusion, enter area, leave area detection
- Based on target classification, smart intrusion prevention significantly reduce false alarm caused by leaves, birds and lights etc., accurately focus on human and, motor vehicle and non-motor vehicle
- Supports sound and light alarm linkage.When Smart intrusion prevention is triggered , the camera links sound alarm and light linkage.
- Intelligent
- Intelligent People Flow Counting and Crowd Density Monitoring
- 120dB true WDR technology enables clear image in strong light scene
- Support 9:16 Corridor Mode
- Built-in Speaker

- Smart IR, up to 30m (98ft) IR distance
- Supports 256 G Micro SD card
- IP67 protection
- Support PoE power supply

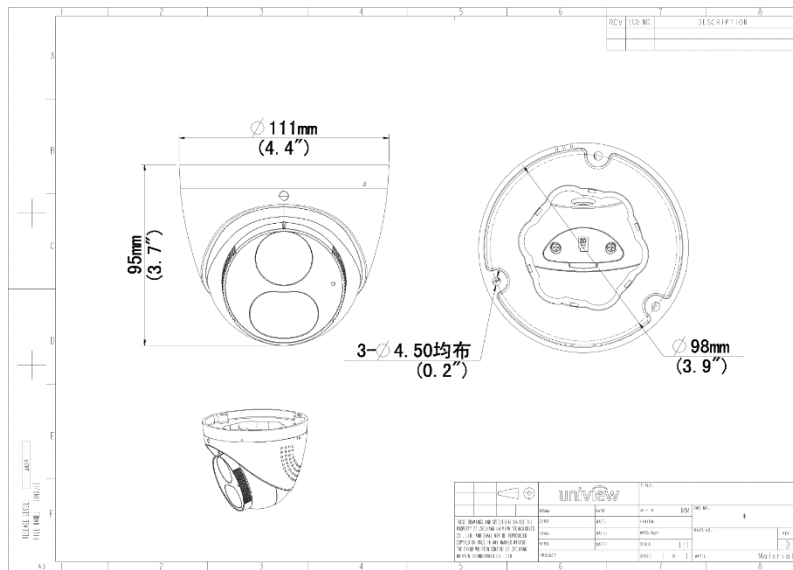
Specifications

Camera	Description
Resolution	5MP
Sensor	1/2.7"CMOS
Min. Illumination	Colour: 0.002 lux (F1.6, AGC ON) 0 Lux with light
Day/Night	IR-cut filter with auto switch (ICR)
Shutter	Auto/Manual, 1 ~ 1/100000s
Adjustment angle	Pan: 0° ~ 360° , Tilt: 0° ~ 80° , Rotate: 0° ~ 360°
S/N	>52dB
WDR	120dB
Lens	Description
Lens type	IPC3615SB-ADF28KMC-I0:2.8mm IPC3615SB-ADF40KMC-I0:4.0mm
Iris Type	Fixed
Iris	F1.6
Field of View (H)	IPC3615SB-ADF28KMC-I0:101.1° IPC3615SB-ADF40KMC-I0:83.7°
Field of View (V)	IPC3615SB-ADF28KMC-I0:55.3° IPC3615SB-ADF40KMC-I0:44.9°
Field of View (D)	IPC3615SB-ADF28KMC-I0:111.1° IPC3615SB-ADF40KMC-I0:89.2°
Zoom	Fixed
DORI	Description
DORI Distance (Lens)	IPC3615SB-ADF28KMC-I0:2.8mm IPC3615SB-ADF40KMC-I0:4.0mm
DORI Distance (Detect)	IPC3615SB-ADF28KMC-I0:63.0m(206.7ft) IPC3615SB-ADF40KMC-I0:90.0m(295.2ft)
DORI Distance (Observe)	IPC3615SB-ADF28KMC-I0:25.2m(82.7ft) IPC3615SB-ADF40KMC-I0:36.0m(118.1ft)
DORI Distance (Recognize)	IPC3615SB-ADF28KMC-I0:12.6m(41.3ft) IPC3615SB-ADF40KMC-I0:18.0m(59.1ft)
DORI Distance (Identify)	IPC3615SB-ADF28KMC-I0:6.3m(20.7ft) IPC3615SB-ADF40KMC-I0:9.0m(29.5ft)

Illuminator	Description
Illumination Distance(IR)	Up to 30m (98ft)
Illumination Distance(Warm Light)	30m
Wavelength	850nm
Light On/Off Control	Auto/Manual
Video	Description
Video Compression	Ultra 265; H.265; H.264; MJPEG
H.264 code profile	Baseline profile, Main profile, High profile
Frame Rate	Main Stream:5MP (2880*1620), Max 30fps; 4MP (2560*1440), Max 30fps; 3MP (2304*1296), Max 30fps; 1080P (1920*1080), Max 30fps; Sub Stream: 720P (1280*720), Max 30fps; D1 (720*576), Max 30fps; 640*360,Max 30fps; Third Stream: D1 (720*576), Max 30fps; 640*360,Max 30fps; 2CIF(704*288), Max 30fps; CIF(352*288), Max 30fps
Video Bit Rate	128 Kbps~16 Mbps
U-code	Support
OSD	Up to 8 OSDs
Privacy Mask	Up to 4 areas
ROI	Up to 8 areas
Video stream	Triple streams
Image	Description
White Balance	Auto;Outdoor;Fine Tune;Sodium Lamp;Locked;Auto2
Digital noise reduction	2D/3D DNR
Smart IR	Support
Flip	Normal;Flip Vertical;Flip Horizontal;180° ;90° Clockwise;90° Anti-clockwise
Dewarping	N/A
HLC	Support
BLC	Support
Defog	Digital Defog
Intelligent	Description
Smart intrusion prevention	Support false alarm filtering: Cross line detection, Intrusion detection, Enter area detection, Leave area detection
Recognition	
Statistical Analysis	People counting;support people flow counting and crowd density monitoring
Events	Description
Basic Detection	Motion detection;Ultra motion detection;Tampering alarm;
General Function	Watermark;IP Address Filtering;Access Policy;ARP Protection;RTSP Authentication;User Authentication;HTTP Authentication
Storage	Description
Edge Storage	Micro SD, up to 256 GB
Network Storage	ANR;NAS(NFS)
Network	Description

Protocols	IPv4;IPv6;IGMP;ICMP;ARP;TCP;UDP;DHCP;RTP;RTSP;RTCP;RTMP;DNS;DDNS;NTP;FTP;UPnP;HTTP;HTTPS;SMTP;SSL/TLS;802.1x;SNMP
Compatible Integration	ONVIF (Profile S, Profile G, Profile T);API;SDK
User/Host	Up to 32 users. 3 user levels: administrator, common user and operator
Security	Password protection;Strong password;HTTPS encryption;Export operation logs;Basic and digest authentication for RTSP;Digest authentication for HTTP;TLS 1.2;WSSE and digest authentication for ONVIF
Client	EZStation;EZView; EZLive
Web Browser	Plug-in required live view: IE 10 and above, Chrome 45 and above, Firefox 52 and above, Edge 79 and above;Plug-in free live view: Chrome 57.0 and above, Firefox 58.0 and above, Edge 16 and above
Interface	Description
Audio I/O	N/A
Alarm I/O	N/A
Serial Port	N/A
Built-in Speaker	Support
WIFI	N/A
Network	1 * RJ45 10M/100M Base-TX Ethernet
Video Output	N/A
Certification	Description
EMC	CE-EMC (EN 55032, EN 61000-3-3, EN IEC 61000-3-2, EN 55035) FCC (FCC 47 CFR part15 B)
Safety	CE LVD (EN 62368-1) CB (IEC 62368-1) UL/CUL (UL 62368-1, CAN/CSA C22.2 No. 62368-1)
Environment	CE-RoHS (2011/65/EU;(EU)2015/863); WEEE (2012/19/EU)
Protection	IP67 (IEC 60529)
General	Description
Power	DC 12V±25%, PoE (IEEE 802.3af) Power consumption: Max 7.5W
Power Interface	Ø 5.5mm coaxial power plug
Dimensions	Φ 111 x 95mm (Φ4.4" x 3.7")
Weight	0.44kg (0.970lb)
Material	Metal + Plastic
Working Environment	-30° C ~ 60° C (-22° F ~ 140° F), Humidity: ≤95% RH (non-condensing)
Storage Environment	-30° C ~ 60° C (-22° F ~ 140° F), Humidity: ≤95% RH (non-condensing)
Surge protection	4KV
Reset button	N/A
Web Client Language	20 Languages Traditional Chinese, English, Simplified Chinese, Polish, German, Russian, French, Korean, Dutch, Czech, Portuguese (Europe), Portuguese (Brazil), Japanese, Thai, Turkish, Spanish (Latin America), Spanish (Europe), Hungarian, Italian, Vietnamese

Dimensions



Accessories

TR-JB03-G-IN

Junction Box for Mini Fix-dome(Support wiring from behind)



TR-JB07/WM03-G-IN

Wall Mounting Assembling Bracket For 32 Fix-dome&Mini Fix-dome&Plastic Turret Camera



TR-WM03-D-IN

Wall Mounting Bracket for 32 Fix-dome&Mini Fix-dome&Plastic Turret Camera

TR-UM06-E-IN

Slant Mounting Bracket for Fixed Dome



TR-A01-IN

NPT 3/4" Waterproof Cable Gland

TR-UP06-IN

Universal Pole Mounting Bracket



TR-UC08-C

Bullet&Dome Corner Mounting Bracket



TR-SE24-IN

Dome Pendant Mounting Pole 200mm



TR-SE24-A-IN

Dome Pendant Mounting Pole 500mm



TR-CM24-IN

Dome Pendant Mounting Bracket(Indoor)



Zhejiang Uniview Technologies Co., Ltd.

No. 369, Xietong Road, Xixing Sub-district, Binjiang District, Hangzhou City, 310051, Zhejiang Province, China

Email: overseasbusiness@uniview.com; globalsupport@uniview.com

<http://www.uniview.com>

©2023-2024 Zhejiang Uniview Technologies Co., Ltd. All rights reserved.

*Product specifications and availability are subject to change without notice.

*Despite our best efforts, technical or typographical errors may exist in this document. Uniview cannot be held responsible for any such errors and reserves the right to change the contents of this document without prior notice.