

2MP HD ColorHunter Fixed Eyeball Network Camera

IPC3612LB-F28K-WL



Features

- High quality image with 2MP, 1/2.9"CMOS sensor
- 2MP (1920*1080)@30/25fps; 720P (1280*720)@30/25fps
- Ultra H.265,H.265, H.264
- Warm Light, up to 30m (98ft) warm light distance
- 2D/3D DNR (Digital Noise Reduction)
- Support 128GB Micro SD card
- IP67 protection
- Support PoE power supply
- 3-Axis

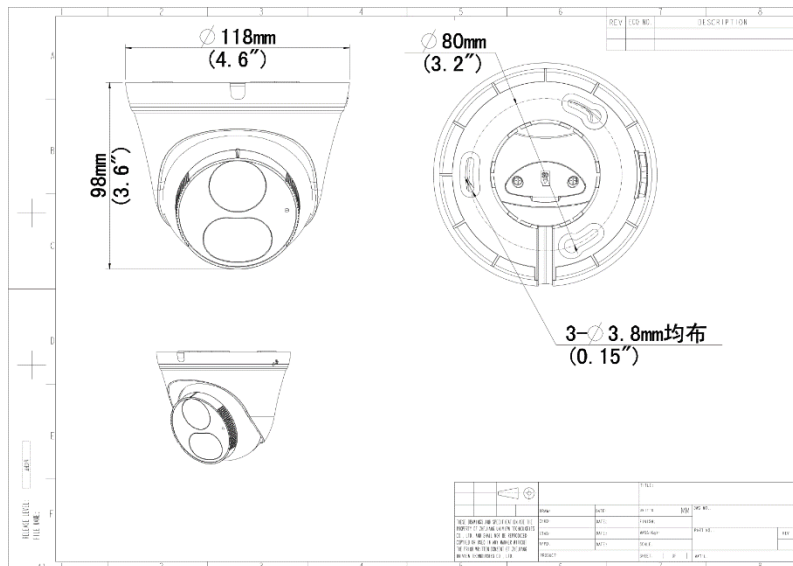
Specifications

Camera	Description
Resolution	2MP
Sensor	1/2.9"CMOS
Min. Illumination	Colour: 0.005 lux (F1.6, AGC ON)
Shutter	Auto/Manual, 1 ~ 1/100000s
Adjustment angle	Pan: 0° ~ 360° , Tilt: 0° ~ 80° , Rotate: 0° ~ 360°
S/N	>52dB
WDR	DWDR
Lens	Description
Lens type	2.8mm
Iris Type	Fixed
Iris	F1.6
Field of View (H)	101.1°
Field of View (V)	55.0°
Field of View (D)	111.0°
DORI	Description
DORI Distance (Lens)	2.8mm
DORI Distance (Detect)	45.0m(147.6ft)
DORI Distance (Observe)	18.0m(59.1ft)
DORI Distance (Recognize)	9.0m(29.5ft)
DORI Distance (Identify)	4.5m(14.8ft)
Illuminator	Description
Illumination Distance(Warm Light)	30m
Light On/Off Control	Auto/Manual
Video	Description
Video Compression	Ultra 265; H.265; H.264
H.264 code profile	Baseline profile, Main profile, High profile
Frame Rate	Main Stream: 2MP (1920*1080),Max 30fps; 720P (1280*720),Max 30fps Sub Stream: D1 (720*576), Max 30fps; 640*360,Max 30fps; 2CIF(704*288), Max 30fps; CIF(352*288), Max 30fps
Video Bit Rate	128 Kbps~6144 Kbps
U-code	Support (Main stream)
OSD	Up to 4 OSDs
Privacy Mask	Up to 4 areas
ROI	Up to 8 areas
Video stream	Dual streams
Image	Description
White Balance	Auto;Outdoor;Fine Tune;Sodium Lamp;Locked;Auto2

Digital noise reduction	2D/3D DNR
Smart Illumination	Support
Flip	Normal;Flip Vertical;Flip Horizontal;180°
Dewarping	N/A
HLC	Support
BLC	Support
Defog	Digital Defog
Events	Description
Basic Detection	Motion detection;
General Function	Watermark;IP Address Filtering;Access Policy;ARP Protection;RTSP Authentication;User Authentication;HTTP authentication
Storage	Description
Edge Storage	Micro SD, up to 128 GB
Network	Description
Protocols	IPv4;IGMP;ICMP;ARP;TCP;UDP;DHCP;RTP;RTSP;RTCP;RTMP;DNS;DDNS;NTP;UPnP;HTTP;HTTPS;QoS;SSL/TLS
Compatible Integration	ONVIF (Profile S, Profile T, Profile G),API,SDK
User/Host	Up to 32 users, 2 user levels: administrator and common user
Security	Password protection;Strong password;HTTPS encryption;Export operation logs;Basic and digest authentication for RTSP;Digest authentication for HTTP;WSSE and digest authentication for ONVIF
Client	EZStation;EZView; EZLive
Web Browser	Plug-in required live view: IE 10 and above, Chrome 45 and above, Firefox 52 and above, Edge 79 and above;Plug-in free live view: Chrome 57.0 and above, Firefox 58.0 and above, Edge 16 and above
Interface	Description
Audio I/O	N/A
Alarm I/O	N/A
Serial Port	N/A
Built-in Speaker	N/A
WIFI	N/A
Network	1 * RJ45 10M/100M Base-TX Ethernet
Video Output	N/A
Certification	Description
EMC	CE-EMC (EN 55032, EN 61000-3-3, EN IEC 61000-3-2, EN 55035) FCC (FCC 47 CFR part15 B)
Safety	CE LVD (EN 62368-1) CB (IEC 62368-1) UL/CUL (UL 62368-1, CAN/CSA C22.2 No. 62368-1)
Environment	CE-RoHS (2011/65/EU;(EU)2015/863); WEEE (2012/19/EU);
Protection	IP67 (IEC 60529)
General	Description
Power	DC 12V ±25%, PoE (IEEE 802.3af)

	Power consumption: Max 7.3W
Power Interface	Ø 5.5mm coaxial power plug
Dimensions	Φ 118 x 98mm (Ø4.6" x 3.9")
Weight	0.29kg(0.64lb)
Material	Metal + Plastic
Working Environment	-30° C ~ 60° C (-22° F ~ 140° F), Humidity: ≤95% RH (non-condensing)
Storage Environment	-30° C ~ 60° C (-22° F ~ 140° F), Humidity: ≤95% RH (non-condensing)
Surge protection	4KV
Reset button	N/A
Web Client Language	1 Language English

Dimensions



Accessories

TR-JB03-I-IN

Junction Box for Plastic Turret Camera(Support wiring from behind)



TR-JB07/WM03-G-IN

Wall Mounting Assembling Bracket F or 32 Fix-dome&Mini Fix-dome&Plastic Turret Camera



TR-WM03-D-IN

Wall Mounting Bracket for 32 Fix-dome&Mini Fix-dome&Plastic Turret Camera

TR-A01-IN

NPT 3/4" Waterproof Cable Gland

TR-UP06-IN

Universal Pole Mounting Bracket



TR-UC08-C

Bullet&Dome Corner Mounting Bracket



TR-SE24-IN

Dome Pendant Mounting Pole 200m

m



TR-SE24-A-IN

Dome Pendant Mounting Pole 500m

m



TR-CM24-IN

Dome Pendant Mounting Bracket(Indoor

)



Zhejiang Uniview Technologies Co., Ltd.

No. 369, Xietong Road, Xixing Sub-district, Binjiang District, Hangzhou City, 310051, Zhejiang Province, China

Email: overseasbusiness@uniview.com; globalsupport@uniview.com

<http://www.uniview.com>

©2023-2024 Zhejiang Uniview Technologies Co., Ltd. All rights reserved.

*Product specifications and availability are subject to change without notice.

*Despite our best efforts, technical or typographical errors may exist in this document. Uniview cannot be held responsible for any such errors and reserves the right to change the contents of this document without prior notice.