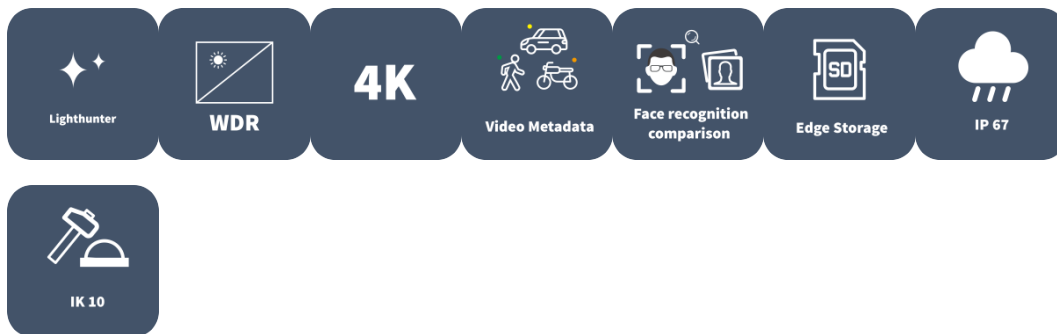


# 8MP LightHunter WDR Network Bullet Camera

## IPC268EA



## Features

- High quality image with 8 MP, 1/1.8" CMOS sensor
- 3840\*2160@60fps in the main stream, offering smoother live video and more details
- Ultra 265, H.265, H.264, MJPEG
- -ISP technology, comprehensive improvement in image quality
- Metadata analyse, support human body, , motor vehicle and non-motor vehicle image capture and attribute collection, realize data visualization management, allow users to get target information for further data analysis
- face detection, support front-end face detection comparison, support blacklist and allowlist comparison, increases the concurrent detection number up to 120
- Smart intrusion prevention, support false alarm filtering, include Cross Line, Intrusion, Enter Area, Leave Area detection
- People Counting, support people flow counting and crowd density monitoring, suitable for different statistical scenarios
- LightHunter technology ensures ultra-high image quality in low illumination environment
- Up to 140 dB Optical WDR (Wide Dynamic Range)

- DC12V or PoE (IEEE 802.3at) power supply
- Wide voltage range of  $\pm 25\%$  in DC

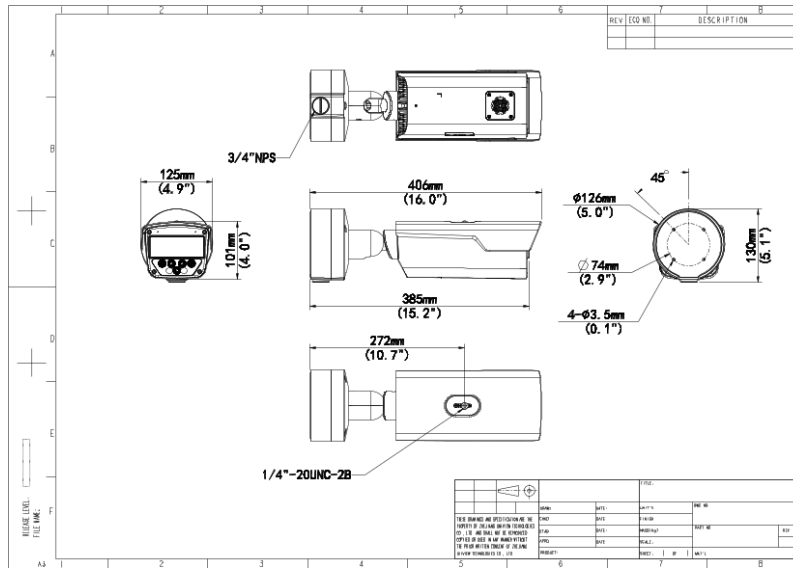
## Specifications

Camera	Description
Sensor	1/1.8"CMOS
Min. Illumination	IPC268EA-AHDZK-I1:Colour:0.001 lux (F1.2, AGC ON) B/W:0.0005 lux (F1.2, AGC ON) 0 lux with IR IPC268EA-AHDX4K-I1:Colour:0.003 lux (F1.6, AGC ON) B/W:0.002 lux (F1.6, AGC ON) 0 lux with IR
Day/Night	IR-cut filter with auto switch (ICR)
Shutter	Auto/Manual, 1 ~ 1/100000s
WDR	140dB
S/N	>56dB
Lens	Description
Lens type	IPC268EA-AHDZK-I1:2.8 ~ 12mm IPC268EA-AHDX4K-I1:8 ~ 32mm
Optical Zoom	4X
Iris	IPC268EA-AHDZK-I1:F1.2 IPC268EA-AHDX4K-I1:F1.6
Iris Type	P-iris
DORI	Description
DORI Distance(Detect)	IPC268EA-AHDZK-I1:108.0m(354.3ft)~180.0m(590.6ft) IPC268EA-AHDX4K-I1:240.3m(788.4ft)~644.4m(2114.2ft)
DORI Distance(Observe)	IPC268EA-AHDZK-I1:43.2m(141.7ft)~72.0m(236.2ft) IPC268EA-AHDX4K-I1:96.1m(315.4ft)~257.8m(845.7ft)
DORI Distance(Recognize)	IPC268EA-AHDZK-I1:21.6m(70.9ft)~36.0m(118.1ft) IPC268EA-AHDX4K-I1:48.1m(157.7ft)~128.9m(422.8ft)
DORI Distance(Identify)	IPC268EA-AHDZK-I1:10.8m(35.4ft)~18.0m(59.1ft) IPC268EA-AHDX4K-I1:24.0m(78.8ft)~64.4m(211.4ft)
Illuminator	Description
Illumination Distance(IR)	IPC268EA-AHDZK-I1:60m IPC268EA-AHDX4K-I1:120m
Wavelength	850nm
IR On/Off Control	Auto/Manual
Video	Description
Video Compression	Ultra 265; H.265; H.264; MJPEG
Frame Rate—Main Stream	8MP(3840*2160), Max 60fps

Frame Rate—Sub Stream	2MP(1920*1080), Max 60fps
Frame Rate—Third Stream	D1 (720*576), Max 60fps
Video Bit Rate	128 Kbps ~ 16 Mbps
ROI	Up to 8 areas
Video stream	Triple streams
OSD	Up to 10 OSDs
Privacy Mask	Up to 8 areas (8 blacks / 8 mosaics)
<b>Image</b>	<b>Description</b>
White Balance	Auto&Outdoor&Fine Tune&Sodium Lamp&Locked&Auto2
Digital noise reduction	2D/3D DNR
Smart IR	Support
Flip	Normal&Flip Vertical&Flip Horizontal&180°&90°Clockwise&90°Anti-clockwise
HLC	Support
Defog	Digital Defog
<b>Intelligent</b>	<b>Description</b>
Metadata Analyse	Support human body, , motor vehicle and non-motor vehicle image capture and attribute collection
Recognition	face detection: Max support 16 face libraries; Max supports 100000 faces in face library
Smart intrusion prevention	Support false alarm filtering: Cross line detection, Intrusion detection, Enter area detection, Leave area detection
People Counting	Support people flow counting and crowd density monitoring
Exception Detection	IPC268EA-AHDZK-I1:Object Removed,Object Left Behind; Scene Change; Defocus Detection IPC268EA-AHDX4K-I1:Object Removed,Object Left Behind
<b>Events</b>	<b>Description</b>
Basic Detection	Motion detection&Audio detection&Tampering alarm
General Function	Watermark&IP Address Filtering&Access Policy&ARP Protection&RTSP Authentication&User Authentication&HTTP authentication&Alarm input&Alarm output
<b>Audio</b>	<b>Description</b>
Audio Compression	G.711U&G.711A
Audio Bitrate	128 Kbps
Two-way Audio	Support
Suppression	Support
Sampling Rate	16KHZ
<b>Storage</b>	<b>Description</b>
Edge Storage	Micro SD, up to 512 GB
Network Storage	ANR; NAS(NFS)
<b>Network</b>	<b>Description</b>
Protocols	IGMP, RTP, SMTP, IPv4, IPv6, ICMP, ARP, TCP, UDP, DHCP, PPPoE, RTSP, RTCP, RTMP, DNS, DDNS, NTP, FTP, UPnP, HTTP, HTTPS, 802.1x, SNMP, QoS, SSL/TLS, SSH, TLS1.3
Compatible Integration	API; SDK; ONVIF (Profile S, Profile G, Profile T, Profile M)

User/Host	Up to 32 users. 3 user levels: administrator, common user and operator
Security	Password protection; Strong password; HTTPS encryption; Export operation logs; Basic and digest authentication for RTSP; Digest authentication for HTTP; TLS 1.2; WSSE and digest authentication for ONVIF; TLS1.3
Client	EZStation& EZLive&EZView
Web Browser	Plug-in required live view: IE 10 and above, Chrome 45 and above, Firefox 52 and above, Edge 79 and above&Plug-in free live view: Chrome 57.0 and above, Firefox 58.0 and above, Edge 16 and above
<b>Interface</b>	<b>Description</b>
Audio I/O	2/1
Alarm I/O	3/2
Serial Port	1 channel RS485 interface
Built-in Mic	Support, built-in mic*2
Built-in Speaker	Support
Network	1 * RJ45 10M/100M/1000M Base-TX Ethernet
<b>Certification</b>	<b>Description</b>
EMC	CE-EMC (EN 55032: 2015+A1:2020,EN 61000-3-3: 2013+A1: 2019,EN IEC 61000-3-2: 2019+A1: 2021,EN 55035: 2017+A11:2020) FCC (FCC CFR 47 part15 B, ANSI C63.4-2014)
Safety	CE LVD (EN 62368-1:2014+A11:2017) UL (UL 62368-1, 3rd Ed., 2021-10-22 )
Environment	CE-RoHS (2011/65/EU;(EU)2015/863); WEEE (2012/19/EU); Reach (Regulation (EC) No 1907/2006)
Protection	IP67 (IEC 60529:1989+AMD1:1999+AMD2:2013) IK10 (IEC 62262:2002)
<b>General</b>	<b>Description</b>
Power	DC12V( $\pm 25\%$ ) , PoE+ (IEEE 802.3at)
Power Consumption	IPC268EA-AHDZK-I1:Max 16W IPC268EA-AHDX4K-I1:Max 19W
Power Interface	Ø 5.5mm coaxial power plug
Dimensions	406 x 126 x 130mm(16.0" x 5.0" x 5.1" )
Weight	1.92kg(4.23lb)
Working Environment	-30°C ~ 60°C (-22°F ~ 140°F), Humidity: $\leq 95\%$ RH (non-condensing)
Surge protection	6KV
Heater	Support

# Dimensions



**Zhejiang Uniview Technologies Co., Ltd.**

No. 369, Xietong Road, Xixing Sub-district, Binjiang District, Hangzhou City, 310051, Zhejiang Province, China

Email: [overseasbusiness@uniview.com](mailto:overseasbusiness@uniview.com); [globalsupport@uniview.com](mailto:globalsupport@uniview.com)

<http://www.uniview.com>

©2024 Zhejiang Uniview Technologies Co., Ltd. All rights reserved.

\*Product specifications and availability are subject to change without notice.

\*Despite our best efforts, technical or typographical errors may exist in this document. Uniview cannot be held responsible for any such errors and reserves the right to change the contents of this document without prior notice.