

4MP HD Mini IR Fixed Bullet Network Camera

IPC2234LE-EZB2



Key Features



- High quality image with 4MP, 1/3"CMOS sensor
- 4MP (2688*1520)@ 30/25fps; 4MP (2560*1440)@ 30/25fps; 3MP (2304*1296) @30/25fps; 2MP (1920*1080) @30/25fps;
- Ultra 265, H.265, H.264, MJPEG
- 120dB true WDR technology enables clear image in strong light scene
- Support 9:16 Corridor Mode
- Built-in Mic
- Smart IR, up to 60m IR distance
- Supports 256 G Micro SD card
- IP67 protection
- Support PoE power supply
- 3-Axis

Specifications

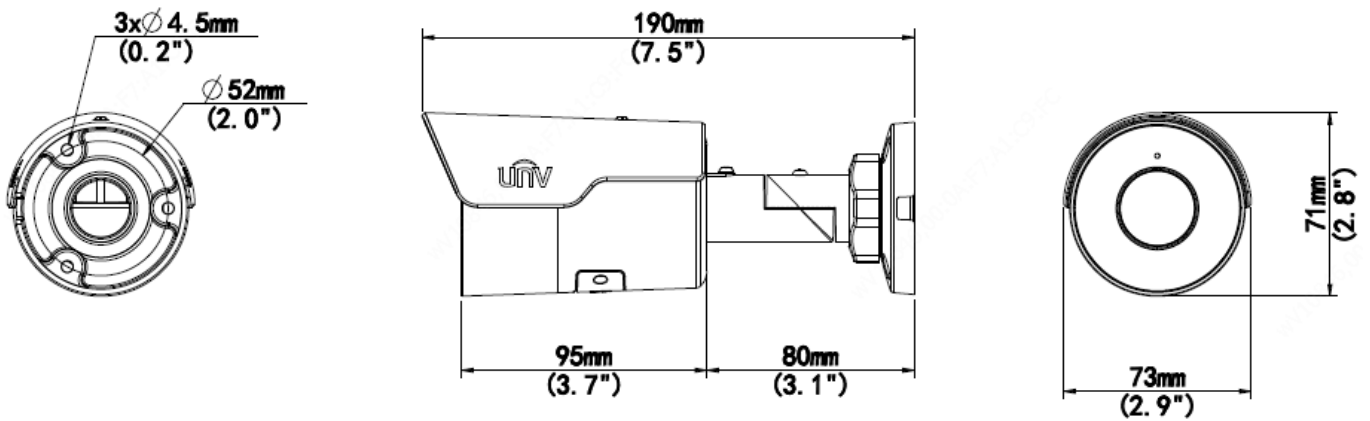
	IPC2234LE-EZB2				
Camera					
Sensor	1/3", 4.0 megapixel, progressive scan, CMOS				
Lens & Mount	2.8mm@F1.4@M12				
DORI Distance	Lens (mm)	Detect (m)	Observe (m)	Recognize (m)	Identify (m)
	2.8	63.0	25.2	12.6	6.3
Angle Of View (H)	101.1°				
Angle Of View (V)	55.3°				
Angle Of View (O)	111.1°				
Adjustment Angle	Pan: 0° ~ 360°		Tilt: 0° ~ 90°		Rotate: 0° ~ 360°
Shutter	Auto/Manual, 1 ~ 1/100000s				
Minimum Illumination	Colour: 0.003Lux (F1.4, AGC ON) 0Lux with IR				
Day/Night	IR-cut filter with auto switch (ICR)				
Digital Noise Reduction	2D/3D DNR				
S/N	>56dB				
IR Range	Up to 60m IR range				
Wavelength	850nm				
IR On/Off Control	Auto/Manual				
Defog	Digital Defog				
WDR	120dB				
Bit Rate	CBR/VBR				
Trigger Action	Supported				
Video					
Video Compression	Ultra 265, H.265, H.264, MJPEG				
H.265 Code Profile	Baseline profile, Main profile, High profile				
Frame Rate	Main Stream: 4MP (2688*1520), Max 30fps; 4MP (2560*1440), Max 30fps; 3MP (2304*1296), Max 30fps; 1080P (1920*1080), Max 30fps; Sub Stream: 720P (1280*720), Max 30fps; D1 (720*576), Max 30fps; 640*360, Max 30fps; 2CIF(704*288), Max 30fps; CIF(352*288), Max 30fps;				
Simultaneous Live View	Up to 8 Channels				
Video Bit Rate	128 Kbps~16 Mbps				
User / Host	Up to 35 User				
9:16 Corridor Mode	Supported				
OSD	Up to 4 OSDs				
Privacy Mask	Up to 4 areas				
ROI	Up to 8 areas				
Motion Detection	Up to 4 areas				
Image					
White Balance	Auto/Outdoor/Fine Tune/Sodium Lamp/Locked/Auto2				
Digital Noise Reduction	2D/3D DNR				

Environment Noise Filtering	Supported
Image Parameters switch	Support
Image Setting	Rotate Mode, Saturation, Brightness, Contrast, Sharpness, Gain, White Balance (adjustable by client software or web browser.)
Smart IR	Support
Flip	Normal/Vertical/Horizontal/180°/90°Clockwise/90°Anti-clockwise
Dewarping	N/A
HLC	Supported
BLC	Supported
Audio	
Audio Bit Rate & Compression	64kbps @ G.711ulaw
Suppression	Supported
Sampling Rate	8KHZ
Storage	
Edge Storage	Micro SD, up to 256GB
Network Storage	ANR, NAS(NFS)
Smart	
Behavior Detection	Cross line, intrusion(based on human body detection), Region Entrance Detection, Region Exiting Detection
	Visual alarm supported
	motion detection (Human and Vehicle Targets Classification), video tampering alarm, exception, audio detection
General Function	Watermark, IP address filtering, access policy, ARP protection, RTSP authentication, user authentication, HTTP authentication
Linkage Method	Upload to NAS/memory card/FTP, notify surveillance center, trigger record, trigger capture, send email.
Network	
Protocols	IPv4, IGMP, ICMP, ARP, TCP, UDP, DHCP, RTP, RTSP, RTCP, RTMP, DNS, DDNS, NTP, FTP, UPnP, HTTP, HTTPS, SMTP, SSL, 802.1x, SNMP
Compatible Integration	ONVIF (Profile S, Profile G, Profile T), SDK, ISAPI/LAPI
Security	Password Protection, Complicated Password, HTTPS encryption, WSSE and digest authentication for ONVIF, IP Address Filter, Security Audit Log, basic and digest authentication for HTTP/HTTPS, TLS 1.1/1.2.
Client	EZStation EZView EZLive
	Up to 32 Uses and 3 user levels (administrator, operator and user)
Web Browser	Plug-in required live view: IE9+, Chrome 41 and below, Firefox 52 and below
	Plug-in free live view: Chorme 57.0+, Firefox 58.0+, Edge 16+, Safari 11+
Interface	
Network	1 RJ45 10/100M Base Self-Adaptive Ethernet Port
Built-in Mic	Supported
Certifications	
Certifications	CE-EMC (EN 55032: 2015, EN 61000-3-2: 2014, EN 61000-3-3: 2013, EN 55024:2010+A1:2015); CE-RoHS (2011/65/EU, (EU)2015/863); UL: UL (UL 62368-1), CE: CE-LVD (EN 62368-1:2014/A11:2017); FCC: FCC (47 CFR Part 15, Subpart B); KC (KN 32: 2015, KN 35: 2015) WEEE (2012/19/EU), Reach (Regulation (EC) fNo 1907/2006)

General

Power	DC 12V±25%, PoE (IEEE 802.3af, Class 3)
	Power consumption: 12VDC±25%,0.88A, max:6.0W, PoE: (802.3af,36V to 57 V), 0.3 A to 0.2 A, max: 10.5 W
Dimensions(L × W × H)	190×73×71mm (7.5"×2.9"×2.8")
Net Weight	0.46kg (1.01lb)
Material	Metal
Working Environment	-30°C ~ 60°C (-22°F ~ 140°F), Humidity: ≤95% RH (non-condensing)
Storage Environment	-30°C ~ 60°C (-22°F ~ 140°F), Humidity: ≤95% RH (non-condensing)
Environment	CE-RoHS
Surge Protection	4KV
Ingress Protection	IP67 (IEC 60529-2013)
Reset Button	Software reset

Dimensions



Accessories

TR-JB06-IN



TR-JB05-B-IN



TR-UP06-C-IN



TR-A01-IN



Pole Mount	
TR-JB06-IN+ TR-UP06-C-IN	TR-JB05-B-IN+ TR-UP06-C-IN

Zhejiang Uniview Technologies Co., Ltd.

Building No.10, Wanlun Science Park, Jiangling Road 88, Binjiang District, Hangzhou, Zhejiang, China (310051)

Email: overseasbusiness@uniview.com; globalsupport@uniview.com

<http://www.uniview.com>

©2022 Zhejiang Uniview Technologies Co., Ltd. All rights reserved.

*Product specifications and availability are subject to change without notice.