

【 Datasheet 】

UNV HC151 ITS 5MP Checkpoint-Capture-Units (Sky-eye III) 20231228 (Public)

HC151@GHN-2C32S-OS



Features

- 5MP industrial camera with wide field of view.
- Excellent performance in low light environments.
- Shipped with an Ethernet extension cable for easy operation.
- Advanced H.265 encoding technology improves compression efficiency.
- ONVIF profile S/G/T for compatible Integration.
- Three streams are available for live view and storage to meet different bandwidth and frame rate requirements.
- Violation detection: line crossing, speeding, wrong-way driving, driving in dedicated lanes, driving without seatbelt, calling while driving, etc.
- Vehicle feature recognition: license plate, vehicle color, vehicle type, logo, model, etc.

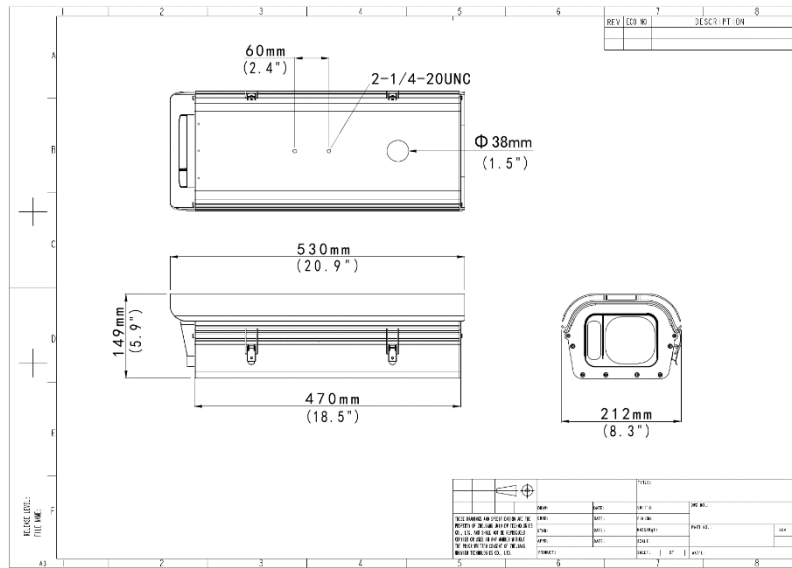
Specifications

BOM	Description
BOM	0235C71W

Camera	Description
Sensor	1/1.3" 5MP global exposure CMOS
Type	Bullet motorized Vari-focal, Outdoor
Illumination	Color: 0.0001lx; black and white: 0.00005lx
Focal Length	18mm-35mm
Image settings	Shutter, gain, white balance, WDR
Shutter Speed	1/50s - 1/100,000s
WDR	140dB
Image/video	Description
Acquisition format	4096 x 2160@50fps
IR Distance	25m
Video compression	H.265, H.264, MJPEG
Frame rate	Up to 50fps
Image resolution	4096 x 2160
Video resolution	Main stream: 4096 x 2160 2560x1920, 1920x1080, 1600x1200, 1280x720 Sub stream: 1920x1080, 1600x1200, 1280x720, 720x576, 704x288, 352x288 Third stream: 720x576, 704x288, 352x288
Network Protocol	IPv4, IPv6, HTTP, DHCP, NTP, UDP
Video OSD	Supports various overlays such as date and time with adjustable font size, font style, font color, etc.
Image OSD	Supports various overlays with adjustable overlay position, overlay order, font size, font style, font color, etc.
ROI	Supports up to 8 ROIs
Functions	Description
Vehicle detection mode	Radar, induction loop, video
Vehicle / Object Speed range	0km/h - 180km/h
Illumination type	Built-in integrated strobe illuminator with adjustable brightness Optional external strobe illuminator or strobe and flash illuminator Optional external port for radar
Image composition	Support
Image size	Adjustable
Smart-PL	Built-in
Smart/AI Features	Motor vehicle & motorcycle detection License/Number plate capture Face detection & capture of driver and front-seat passenger of motor vehicles, and motorcycle drivers Vehicle type classification: bus, truck, van, SUV, MPV, pickup and more Vehicle color & logo recognition Traffic rule violation detections: traffic violations including carrying passenger, unfasten seat belt, calling while driving, and wrong-way driving Traffic flow detection, statistics of vehicle flow, queue length, average speed, lane occupancy, traffic congestion

Interface	Description
I/O control	4 × synchronous signal output interface (switch) 8 × synchronous signal output interface (TTL) 8 × signal input interface (switch) Control interface: 4 × RS485, 1 × RS232
Network	2 × RJ45 10M/100M/1000M Base-T adaptive Ethernet interface
Reset button	1
Storage	Description
Front-end storage	32GB eMMC, supports up to 256G microSD (TF) card expansion
Back-end storage	iSCSI data block direct storage, supports retrieval and playback in seconds
Automatic Network Replenishment (ANR)	Support
General	Description
Power supply	AC220V±25%
Power consumption	Camera 12W, heating 12W, fan 1W, built-in LED 10W
Dimensions	530mm×211mm×149mm
Weight	5.96kg
Operating environment	-40°C to 70°C, 10% to 90% RH (non-condensing)
Lightning and surge protection	Support
Ingress protection	IP66
Certification	Description
EMC	CE LVD: SHES230701467201
Safety	CE EMC: KSEM2307001731AT
LPR	Description
Vehicle brand detection	Alfa Romeo, Aston Martin ,Audi, Bentley ,BMW, BYD, Chevrolet, Citroen, Ferrari, Fiat, Ford, Foton, Golden Dragon, Higer, Hino, Honda, Hyundai ,Isuzu, Jaguar, Jeep, Kia, Land Rover, Lexus, Maserati, Maxus, Mazda, McLaren, Mercedes-Benz, MG, MINI, Mitsubishi, Nissan, Opel, ORA, Peugeot, Polestar, Porsche, Renault, Rolls-Royce, SEAT, SKODA, Smart, SsangYong, Subaru, Suzuki, Tesla, Toyota, Volkswagen, Volvo, Infiniti, BAW, Dodge, DongFeng, FEIDIE, KingLong, Everus, Chery, SinoTruk, SAAB, Yutong, Proton, Chrysler, Daihatsu, Datsun, Geely, Hafei, Zotye, Man, Scion,
Lane Coverage	2 lanes
Supports multiple countries	North America: USA, Canada Northeast Europe: Slovenia, Poland, Czech Republic, Slovakia, Latvia, Belarus, Ukraine, EU: France, Spain, Portugal, Germany, United Kingdom, Ireland, Bulgaria, Romania, Hungary, Luxembourg, Serbia, Bosnia and Herzegovina, Greece, Croatia, Middle East: Iraq, Saudi Arabia, UAE (Dubai) Southeast Asia: Singapore, Malaysia, Indonesia, Northeast Asia: South Korea, Africa: Egypt

Dimensions



Ordering Info

Product Model	Config	Description
HC151	GHN-2C32S-OS	5MP Deep Intelligence Checkpoint Camera Unit(Sky-eye)

Zhejiang Uniview Technologies Co., Ltd.

No. 369, Xietong Road, Xixing Sub-district, Binjiang District, Hangzhou City, 310051, Zhejiang Province, China

Email: overseasbusiness@uniview.com; globalsupport@uniview.com

<http://www.uniview.com>

©2023-2024 Zhejiang Uniview Technologies Co., Ltd. All rights reserved.

*Product specifications and availability are subject to change without notice.

*Despite our best efforts, technical or typographical errors may exist in this document. Uniview cannot be held responsible for any such errors and reserves the right to change the contents of this document without prior notice.