

【 Datasheet 】

UNV LED Strobe & Xenon Flash Illuminator 20231228 (Public)

LAMP-H25@BM-OS



Features

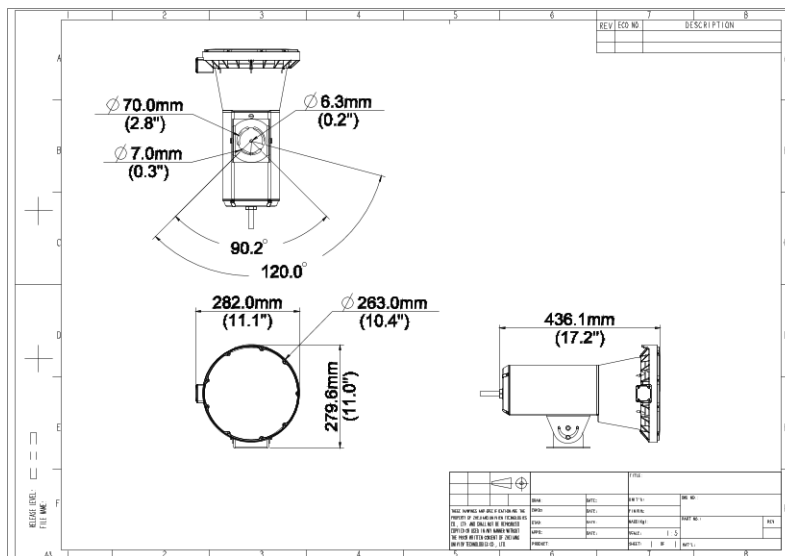
- 24 high-power warm light LEDs.
- The LED flashes synchronously when the xenon light flashes.
- Adjustable flash brightness, high beam, uniform light.
- 3 lane coverage.
- Unique design and high-performance dedicated components ensure reliable operation in a variety of complex conditions.
- Long lifetime of over 50000 hrs or upto 10 million times.
- Stable brightness withstands fluctuations in the power supply voltage.

Specifications

BOM	Description
BOM	0231C1DV
Parameter	Description
Trigger mode	Strobe: TTL level/switch Flash: Switch
Day/Night	Support day night functions
Color temperature	Xenon 6000±500K

	LED 3000±200K
Strobe power	34.5W @3A/40% (active power)
LEDs	24
Strobe illumination angle	10°
Output energy	Flash 40J to 80J
Flash duration	300us by default
Exposure index	40 to 64 (GN)
Response time	≤18us
Optimal illumination distance	Strobe: 16m to 29m Flash: 18m to 32m
Interface	1 power input; 1 flash trigger input; 1 strobe trigger input; sync
Power	AC 220V±20%, 40 to 60Hz, operates from ANPR power output
Weight	4.5kg
Operating temperature	-45° C to 80° C
Operating humidity	5% to 95% RH (non-condensing)
Dimensions (L×W×H)	436.1mm*282mm*279.6mm
Ingress protection	IP67
Lifetime	≥50000 hrs or upto 10 million times

Dimensions



Ordering Info

Product Model	Config	Description
LAMP-H25	BM-OS	LED Strobe & Xenon Flash Illuminator

Zhejiang Uniview Technologies Co., Ltd.

No. 369, Xietong Road, Xixing Sub-district, Binjiang District, Hangzhou City, 310051, Zhejiang Province, China

Email: overseasbusiness@uniview.com; globalsupport@uniview.com

<http://www.uniview.com>

©2023-2024 Zhejiang Uniview Technologies Co., Ltd. All rights reserved.

*Product specifications and availability are subject to change without notice.

*Despite our best efforts, technical or typographical errors may exist in this document. Uniview cannot be held responsible for any such errors and reserves the right to change the contents of this document without prior notice.