

5MP HD Intelligent LightHunter IR VF Bullet

Network Camera

IPC2325SB-DZK-I0-WM



Key Features



- High quality image with 5MP, 1/2.7"CMOS sensor
- 5MP (2880*1620)@ 30/25fps; 4MP (2560*1440)@ 30/25fps; 3MP (2304*1296) @30/25fps; 2MP (1920*1080) @30/25fps
- Ultra 265, H.265, H.264, MJPEG
- Smart intrusion prevention, include cross line, intrusion, enter area, leave area detection
- Based on target classification, smart intrusion prevention significantly reduce false alarm caused by leaves, birds and lights etc., accurately focus on human and, motor vehicle and non-motor vehicle
- Intelligent People Flow Counting and Crowd Density Monitoring
- LightHunter technology ensures ultra-high image quality in low illumination environment
- 120dB true WDR technology enables clear image in strong light scene
- Support 9:16 Corridor Mode
- Alarm:1 in/1 out, Audio: 1 in/1 out
- Smart IR, up to 50m (164ft) IR distance
- Supports 256 G Micro SD card
- IK10 vandal resistant and IP67 protection
- Support PoE power supply

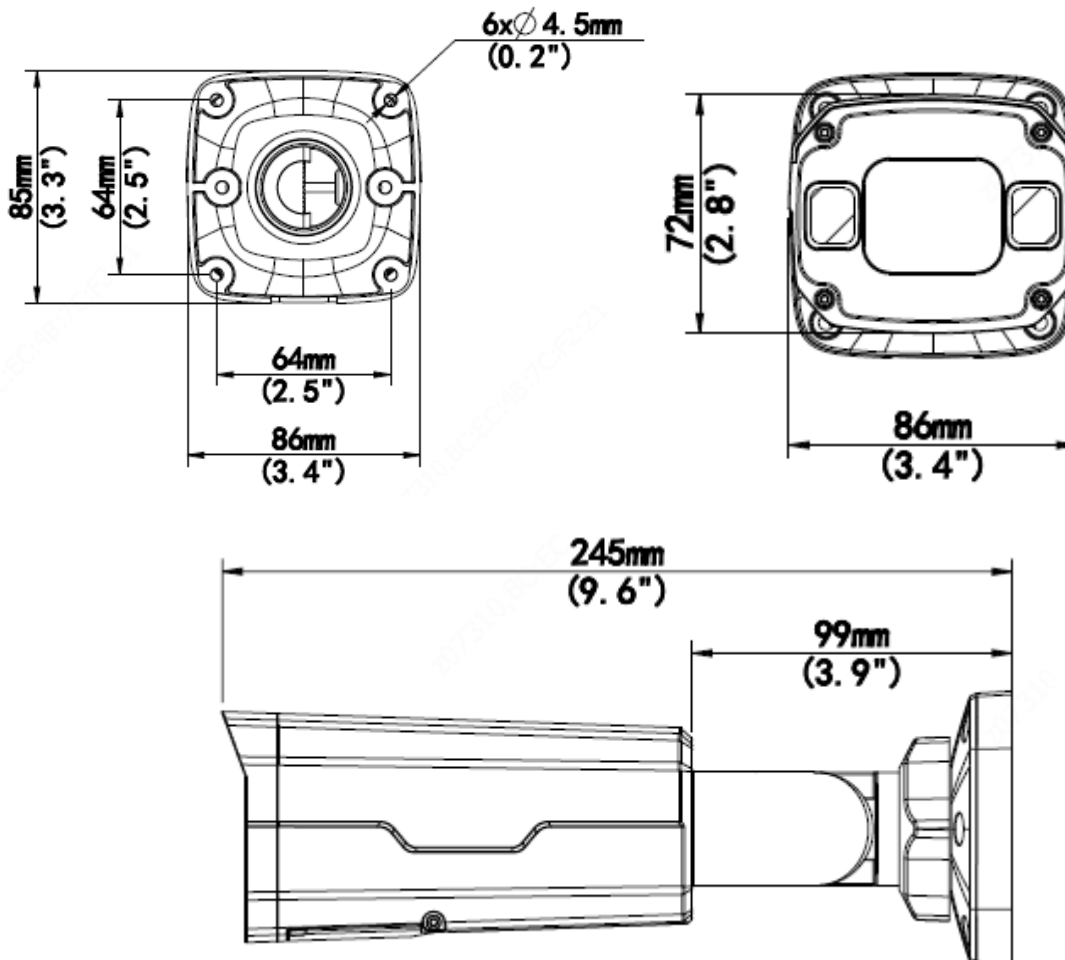
Specifications

| Camera | | | | | |
|-------------------------|---|----------------|-------------|-------------------|--------------|
| Sensor | 1/2.7", 5.0 megapixel, progressive scan, CMOS | | | | |
| Minimum Illumination | Colour: 0.002 lux (F1.2, AGC ON) 0 lux with IR on | | | | |
| Day/Night | IR-cut filter with auto switch (ICR) | | | | |
| Shutter | Auto/Manual, 1 ~ 1/100000s | | | | |
| Adjustment angle | Pan: 0° ~ 360° | Tilt: 0° ~ 90° | | Rotate: 0° ~ 360° | |
| WDR | 120dB | | | | |
| S/N | >56 dB | | | | |
| Lens | | | | | |
| Lens | 2.7 ~ 13.5mm, AF automatic focusing and motorized zoom lens | | | | |
| Iris | Fixed | | | | |
| Field of View (H) | 106.25° ~ 30.42° | | | | |
| Field of View (V) | 56.36° ~ 17.22° | | | | |
| Field of View (D) | 110.34° ~ 34.18° | | | | |
| DORI | | | | | |
| DORI Distance | Lens (mm) | Detect (m) | Observe (m) | Recognize (m) | Identify (m) |
| | 2.7 | 60.8 | 24.3 | 12.2 | 6.1 |
| | 13.5 | 303.8 | 121.5 | 60.8 | 30.4 |
| Illuminator | | | | | |
| IR Range | Up to 50m (164ft) IR range | | | | |
| Wavelength | 850nm | | | | |
| IR On/Off Control | Auto/Manual | | | | |
| Video | | | | | |
| Video Compression | Ultra 265, H.265, H.264, MJPEG | | | | |
| H.264 code profile | Baseline profile, Main profile, High profile | | | | |
| Frame Rate | Main Stream: 5MP (2880*1620), Max 30fps; 4MP (2560*1440), Max 30fps; 3MP (2304*1296), Max 30fps; 1080P (1920*1080), Max 30fps; Sub Stream: 720P (1280*720), Max 30fps; D1 (720*576), Max 30fps; 640*360, Max 30fps; Third Stream: D1 (720*576), Max 30fps; 640*360, Max 30fps; 2CIF(704*288), Max 30fps; CIF(352*288), Max 30fps; | | | | |
| Video Bit Rate | 128 Kbps~16 Mbps | | | | |
| U-code | Support | | | | |
| OSD | Up to 8 OSDs | | | | |
| Privacy Mask | Up to 4 areas | | | | |
| ROI | Up to 8 areas | | | | |
| Video Stream | Triple streams | | | | |
| Image | | | | | |
| White Balance | Auto/Outdoor/Fine Tune/Sodium Lamp/Locked/Auto2 | | | | |
| Digital Noise Reduction | 2D/3D DNR | | | | |
| Smart IR | Support | | | | |
| Flip | Normal/Vertical/Horizontal/180°/90°Clockwise/90°Anti-clockwise | | | | |
| Dewarping | N/A | | | | |

| | |
|----------------------------|--|
| HLC | Support |
| BLC | Support |
| Defog | Digital Defog |
| Intelligent | |
| Smart intrusion prevention | Support false alarm filtering: Cross Line detection, Intrusion detection, Enter Area detection, Leave Area detection |
| Statistical Analysis | People counting, support people flow counting and crowd density monitoring |
| Events | |
| Basic Detection | Motion detection , Ultra motion detection,Tampering alarm, Audio detection |
| General Function | Watermark, IP Address filtering, alarm input, alarm output, access policy, ARP protection, RTSP authentication, user authentication |
| Audio | |
| Audio Compression | G.711U, G.711A |
| Audio Bitrate | 64 Kbps |
| Two-way Audio | N/A |
| Two-way audio | Support |
| Suppression | Support |
| Sampling Rate | 8KHZ |
| Storage | |
| Edge Storage | Micro SD, up to 256GB |
| Network Storage | ANR, NAS(NFS) |
| Network | |
| Protocols | IPv4, IPv6,IGMP, ICMP, ARP, TCP, UDP, DHCP, PPPoE, RTP, RTSP, RTCP, DNS, DDNS, NTP, FTP, UPnP, HTTP, HTTPS, SMTP, 802.1x, SNMP, QoS, RTMP,SSL/TLS, SSH |
| Compatible Integration | ONVIF (Profile S, Profile G, Profile T), API,SDK |
| User/Host | Up to 32 users. 2 user levels: administrator and common user |
| Security | Password protection, strong password, HTTPS encryption, Export operation logs, basic and digest authentication for RTSP, digest authentication for HTTP, TLS 1.2, WSSE and digest authentication for ONVIF |
| Client | EZStation EZView EZLive |
| Web Browser | Plug-in required live view: IE 10 and above, Chrome 45 and above, Firefox 52 and above, Edge 79 and above |
| | Plug-in free live view: Chrome 57.0 and above, Firefox 58.0 and above, Edge 16 and above |
| Interface | |
| Audio I/O | Input: impedance 35kΩ; amplitude 2V [p-p] |
| | Output: impedance 600Ω; amplitude 2V [p-p] |
| Alarm I/O | 1/1 |
| RS485 | N/A |
| Built-in Mic | N/A |
| Built-in Speaker | N/A |
| WIFI | N/A |
| Network | 1 RJ45 10M/100M Base-TX Ethernet |
| Video Output | N/A |
| Certifications | |
| EMC | CE-EMC (EN 55032: 2015+A1:2020,EN 61000-3-3: 2013+A1: 2019,EN IEC 61000-3-2: 2019+A1: 2021,EN 55035: 2017+A11:2020) FCC (FCC CFR 47 part15 B, ANSI C63.4-2014) |

| | |
|------------------------|--|
| Safety | CE LVD (EN 62368-1:2014+A11:2017) CB (IEC 62368-1:2014) UL (UL 62368-1, 2nd Ed., Issue Date: 2014-12-01) |
| Environment | CE-RoHS (2011/65/EU;(EU)2015/863); WEEE (2012/19/EU); Reach (Regulation (EC) No 1907/2006) |
| Protection | IP67 (IEC 60529:1989+AMD1:1999+AMD2:2013) IK10 (IEC 62262:2002) |
| General | |
| Power | DC 12V±25%, PoE (IEEE 802.3af) |
| | Power consumption: Max 7.0 W |
| Power Interface | ∅ 5.5mm coaxial power plug |
| Dimensions (L × W × H) | 245 × 86 × 72mm (9.6" × 3.4" × 2.8") |
| Weight | 0.92kg (2.0lb) |
| MTBF | 80.000 H |
| Working Environment | -30°C ~ 60°C (-22°F ~ 140°F), Humidity: ≤95% RH (non-condensing) |
| Storage Environment | -30°C ~ 60°C (-22°F ~ 140°F), Humidity: ≤95% RH (non-condensing) |
| Surge Protection | 6KV |
| Reset Button | Support |

Dimensions



Accessories

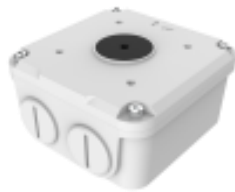
TR-JB07-D-IN

Junction Box



TR-JB06-A-IN

Junction Box



TR-UP06-B-IN

Pole Mount



TR-UP06-C-IN

Pole Mount



TR-A01-IN

Waterproof Joint



| Junction Mount | Pole Mount |
|--|--------------|
| TR-JB07-D-IN(TR-JB06-A-IN)+ TR-UP06-C-IN | TR-UP06-B-IN |
| | |