

# Network Video Recorder

## NVR304-X Series



### Features

- Support Ultra 265/H.265/H.264 video formats
- 16/32-channel input
- Supports mainstream cameras of ONVIF conformance(Profile S, Profile G, Profile T ) and RTSP protocols
- Support 2-ch HDMI, 1-ch VGA. HDMI1 and HDMI2 up to 4K (3840x2160) resolution
- HDMI1, HDMI2, VGA independent outputs provided
- Up to 12 Megapixels resolution recording
- Support RAID 1, 5
- Various fisheye dewarping modes for live view and playback for both web interface and GUI
- ANR technology to enhance the storage reliability when the network is disconnected
- Support cloud upgrade

### Specifications

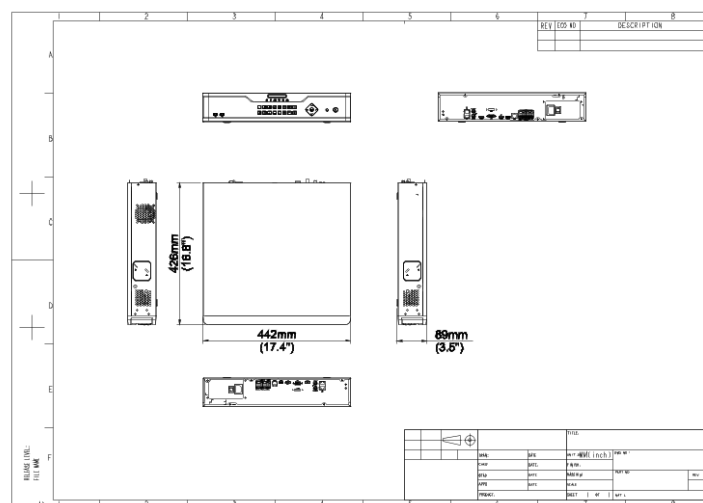
Decoding	Description
Decoding Format	Ultra 265, H.265, H.264
Decoding Capability	NVR304-16X:2 x 12MP@30, 4 x 4K@30, 8 x 4MP@30, 9 x 4MP@25, 16 x 1080P@30 NVR304-32X:2 x 12MP@30, 4 x 4K@30, 8 x 4MP@30, 9 x 4MP@25, 16 x 1080P@30, 32 x 960P@25

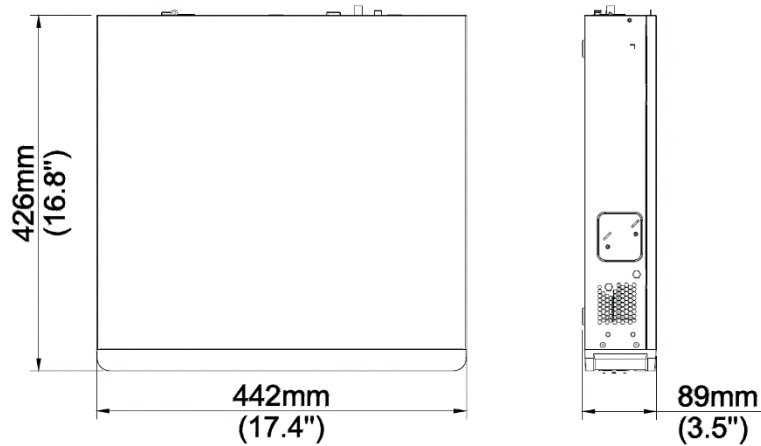
Audio Compression	G.711A, G.711U
<b>Network</b>	<b>Description</b>
Incoming Bandwidth	384Mbps
Outgoing Bandwidth	384Mbps
Remote Users	128
Protocols	TCP/IP; P2P; UPnP; NTP; DHCP; PPPoE; HTTP; HTTPS; DNS; DDNS; IGMP; SNMP; SMTP; NFS; RTSP; 802.1x; IPv6; IPv4
Browser(Plugin)	Windows: IE (IE10/ 11), Firefox (version 52.0 and above), Chrome (version 45 and above), Edge (version 79 and above)
<b>Video/Audio Input</b>	<b>Description</b>
IP Video Input	NVR304-16X:16-ch NVR304-32X:32-ch
RCA Audio Input	1-ch
<b>Video/Audio Output</b>	<b>Description</b>
HDMI Output	4K(3840x2160)/30Hz, 1920x1080/60Hz, 1920x1080/50Hz, 1600x1200/60Hz, 1280x1024/60Hz, 1280x720/60Hz, 1024x768/60Hz (HDMI audio output is not supported)
VGA Output	1920x1080/60Hz, 1920x1080/50Hz, 1600x1200/60Hz, 1280x1024/60Hz, 1280x720/60Hz, 1024x768/60Hz
RCA Audio Output	1-ch
Liveview Display	NVR304-16X:1/4/6/8/9/16 NVR304-32X:1/4/6/8/9/16/25/36
Corridor Mode Screen	NVR304-16X:3/4/5/7/9/10/12/16 NVR304-32X:3/4/5/7/9/10/12/16/32
<b>Two-way Audio</b>	<b>Description</b>
Two-way Audio	1-ch, RCA (Using the audio input and output)
<b>Snapshot</b>	<b>Description</b>
FTP/Schedule/Event Snapshot	NVR304-16X:16-ch snapshot, up to 4K resolution NVR304-32X:32-ch snapshot, up to 4K resolution
<b>Recording</b>	<b>Description</b>
Recording Resolution	12MP/8MP/6MP/5MP/4MP/3MP/1080P/960P/720P/D1/2CIF/CIF
Synchronous Playback in Local	16-ch
<b>Smart</b>	<b>Description</b>
VCA Detection by IPC	Face Detection; Face Comparison; Vehicle Detection; SIP (Intrusion Detection, Cross Line

	Detection, Enter Area, Leave Area); Ultra Motion Detection (UMD); Temperature Detection (Fire Detection, Smoking Detection, Temperature Measurement, Smoke and Fire Detection); People Counting (People Flow Counting, Crowd Density Monitoring); Video Metadata; Traffic Monitoring
VCA Search	Face Snapshot Search; Face Comparison Search; Motor Vehicle Search; Non-Motor Vehicle Search; Human Body Search; General Search; People Counting Report
Smart by IPC	NVR304-16X:All channels (up to 8 images/s in total)Face Detection, Face Comparison, Vehicle Detection, Temperature Detection, SIP, UMD, Video Metadata, Traffic Monitoring NVR304-32X:All channels (up to 16 images/s in total)Face Detection, Face Comparison, Vehicle Detection, Temperature Detection, SIP, UMD, Video Metadata, Traffic Monitoring
<b>Alarm</b>	<b>Description</b>
General Alarm	NVR304-16X:Defocus Detection; Scene Change Detection; Object Left Behind; Object Removed; Auto Tracking; Motion; Tampering; Human Body Detection; Video Loss; Alarm Input; Audio Detection NVR304-32X:Defocus Detection; Scene Change Detection; Object Left Behind; Object Removed; Auto Tracking; Motion Detection; Tampering; Human Body Detection; Video Loss; Alarm Input; Audio Detection
Alert Alarm	IP Conflict; Network Disconnected; Disk Offline; Disk Abnormal; Illegal Access; Hard Disk Space Low; Hard Disk Full; Recording/Snapshot Abnormal
<b>GUI Language</b>	<b>Description</b>
GUI Language	38 languages: Simplified Chinese, Traditional Chinese, English, Vietnamese, Thai, Turkish, Spanish (Latin America), Portuguese (Brazil), Spanish, Portuguese, French, German, Italian, Dutch, Polish, Czech, Hungarian, Slovak, Russian, Hebrew, Arabic, Ukrainian, Estonian, Bulgarian, Greek, Romanian, Danish, Swedish, Norwegian, Finnish, Croatian, Slovenia, Serbia, Korean, Japanese, Latvian, Lithuanian, Persian
<b>Hard Disk</b>	<b>Description</b>
SATA	4 SATA Interfaces
Capacity	Up to 10TB for each HDD (The maximum HDD capacity varies with environment temperature)
Disk Array Type	RAID 1, 5
<b>External Interface</b>	<b>Description</b>
Network Interface	2 RJ45 10M/100M/1000M self-adaptive Ethernet Interface
USB	Front panel: 2 x USB2.0; Rear panel: 1 x USB3.0
RS485	1
RS232	1
Alarm In	16-ch

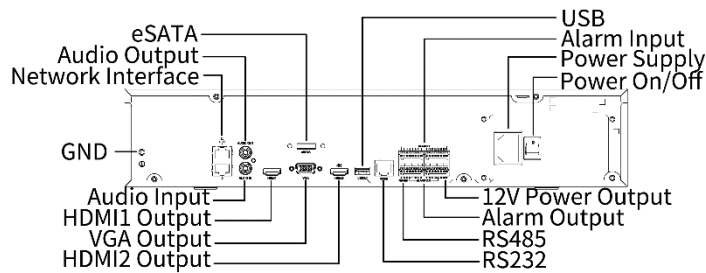
Alarm Out	4-ch
eSATA	1
Power Output	12V
Power Supply	AC 100 ~ 240 V
Power Switch	Support
<b>Working Environment</b>	<b>Description</b>
Working Temperature	-10 °C ~ 55 °C (14 °F ~ 131 °F)
Working Humidity	≤ 90% RH (non-condensing)
Power Consumption (without HD D)	≤ 25W
<b>Dimensions</b>	<b>Description</b>
Weight (without HDD)	≤ 5.7Kg (12.57lb)
Dimensions	442mm × 426mm × 89mm (17.4" × 16.8" × 3.5")
<b>Certification</b>	<b>Description</b>
Certification	CE; FCC; UL; RoHS; WEEE
CE	EN 55032, EN 61000-3-3, EN IEC 61000-3-2, EN 55035
FCC	Part15 Subpart B

## Dimensions





## Rear Panel



### Zhejiang Uniview Technologies Co., Ltd.

No. 369, Xietong Road, Xixing Sub-district, Binjiang District, Hangzhou City, 310051, Zhejiang Province, China (Zhejiang) Pilot Free Trade Zone, China

Email: [overseasbusiness@uniview.com](mailto:overseasbusiness@uniview.com); [globalsupport@uniview.com](mailto:globalsupport@uniview.com)

<http://www.uniview.com>

©2023-2024 Zhejiang Uniview Technologies Co., Ltd. All rights reserved.

\*Product specifications and availability are subject to change without notice.

\*Despite our best efforts, technical or typographical errors may exist in this document. Uniview cannot be held responsible for any such errors and reserves the right to change the contents of this document without prior notice.