

4MP HD Intelligent ColorHunter Fixed Bullet Network Camera

IPC2224SE-DF40(60)K-WL-I0



Features

- High quality image with 4MP, 1/1.8"CMOS sensor
- 4MP (2688*1520)@ 30/25fps; 4MP (2560*1440)@ 30/25fps; 3MP (2304*1296) @30/25fps; 2MP (1920*1080) @30/25fps
- Ultra 265, H.265, H.264, MJPEG
- Smart intrusion prevention, include cross line, intrusion, enter area, leave area detection
- Based on target classification, smart intrusion prevention significantly reduce false alarm caused by leaves, birds and lights etc., accurately focus on human and, motor vehicle and non-motor vehicle
- Intelligent Perimeter, Tripwire
- Intelligent People Flow Counting and Crowd Density Monitoring
- Colorhunter technology ensures 24-hour full-color images
- 120dB true WDR technology enables clear image in strong light scene

- Support 9:16 corridor Mode
- Alarm:1 in/1 out, Audio: 1 in/1 out
- Supports 512 G micro SD card
- IK10 vandal resistant
- IP67 protection
- Support PoE power supply

Specifications

Camera	Description
Max Resolution	IPC2224SE-DF40K-WL-I0:4MP
Sensor	IPC2224SE-DF40K-WL-I0:1/1.8" CMOS
Min. Illumination	IPC2224SE-DF40K-WL-I0:Colour: 0.0005 lux (F1.0, AGC ON)
Shutter	IPC2224SE-DF40K-WL-I0:Auto/Manual, 1 ~ 1/100000s
Adjustment Angle	IPC2224SE-DF40K-WL-I0:Pan: 0° ~ 360°, Tilt: 0° ~ 90°, Rotate: 0° ~ 360°
S/N	IPC2224SE-DF40K-WL-I0:>56dB
WDR	IPC2224SE-DF40K-WL-I0:120dB
Lens	Description
Focal Length	IPC2224SE-DF40K-WL-I0:4.0mm
Iris Type	IPC2224SE-DF40K-WL-I0:Fixed
Iris	IPC2224SE-DF40K-WL-I0:F1.0
Field of View (H)	IPC2224SE-DF40K-WL-I0:103.0°
Field of View (V)	IPC2224SE-DF40K-WL-I0:69.2°
Field of View (D)	IPC2224SE-DF40K-WL-I0:134.6°
DORI	Description
DORI Distance(Lens)	IPC2224SE-DF40K-WL-I0:4.0mm
DORI Distance(Detect)	IPC2224SE-DF40K-WL-I0:62.1m(203.7ft)
DORI Distance(Observe)	IPC2224SE-DF40K-WL-I0:24.8m(81.4ft)
DORI Distance(Recognize)	IPC2224SE-DF40K-WL-I0:12.4m(40.7ft)
DORI Distance(Identify)	IPC2224SE-DF40K-WL-I0:6.2m(20.3ft)
Illuminator	Description
Illumination Distance(Warm Light)	IPC2224SE-DF40K-WL-I0:50m
Light On/Off Control	IPC2224SE-DF40K-WL-I0:Auto/Manual
Video	Description
Video Compression	IPC2224SE-DF40K-WL-I0:Ultra 265; H.265; H.264; MJPEG
H.264 Code Profile	IPC2224SE-DF40K-WL-I0:Baseline profile, Main profile, High profile
Frame Rate	IPC2224SE-DF40K-WL-I0:Main Stream: 4MP (2688*1520), Max 30fps;4MP (2560*1440), Max 30fps; 3MP (2304*1296), Max 30fps; 1080P (1920*1080), Max 30fps;

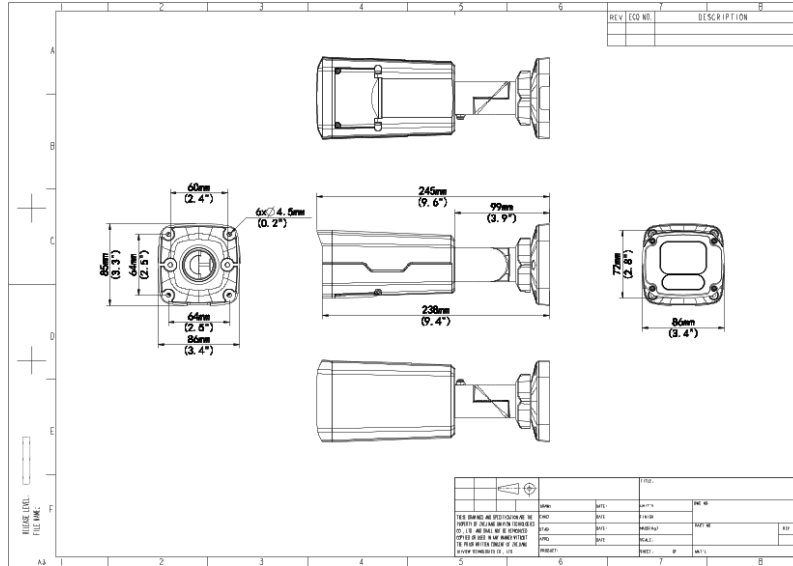
	Sub Stream: 720P (1280*720), Max 30fps; D1 (720*576), Max 30fps; 640*360,Max 30fps; Third Stream: D1 (720*576), Max 30fps; 640*360,Max 30fps; 2CIF(704*288), Max 30fps; CIF(352*288), Max 30fps
Video Bit Rate	IPC2224SE-DF40K-WL-I0:128 Kbps ~ 16 Mbps
U-code	IPC2224SE-DF40K-WL-I0:Support
OSD	IPC2224SE-DF40K-WL-I0:Up to 8 OSDs
Privacy Mask	IPC2224SE-DF40K-WL-I0:Up to 4 areas
ROI	IPC2224SE-DF40K-WL-I0:Up to 8 areas
Video Stream	IPC2224SE-DF40K-WL-I0:Triple Streams
Image	Description
White Balance	IPC2224SE-DF40K-WL-I0:Auto; Outdoor; Fine Tune; Sodium Lamp; Locked; Auto2
Digital Noise Reduction	IPC2224SE-DF40K-WL-I0:2D/3D DNR
Smart Illumination	IPC2224SE-DF40K-WL-I0:Support
Flip	IPC2224SE-DF40K-WL-I0:Normal; Flip Vertical; Flip Horizontal; 180°; 90°Clockwise; 90°Anti-clockwise
Dewarping	IPC2224SE-DF40K-WL-I0:N/A
HLC	IPC2224SE-DF40K-WL-I0:Support
BLC	IPC2224SE-DF40K-WL-I0:Support
Defog	IPC2224SE-DF40K-WL-I0:Digital Defog
Intelligent	Description
Smart Intrusion Prevention	IPC2224SE-DF40K-WL-I0:Support False Alarm Filtering; Cross Line Detection, Intrusion Detection, Enter Area Detection, Leave Area Detection
Recognition	IPC2224SE-DF40K-WL-I0:
Statistical Analysis	IPC2224SE-DF40K-WL-I0:People Counting; support people flow counting and crowd density monitoring
Events	Description
Basic Detection	IPC2224SE-DF40K-WL-I0:Motion Detection; Ultra Motion Detection; Tampering Alarm; Audio Detection
General Function	IPC2224SE-DF40K-WL-I0:Watermark; IP Address Filtering; Access Policy; ARP Protection; RTSP Authentication; User Authentication; HTTP Authentication; Alarm Input; Alarm Output
Audio	Description
Audio Compression	IPC2224SE-DF40K-WL-I0:G.711U; G.711A
Audio Bitrate	IPC2224SE-DF40K-WL-I0:64 Kbps
Two-way Audio	IPC2224SE-DF40K-WL-I0:Support
Suppression	IPC2224SE-DF40K-WL-I0:Support
Sampling Rate	IPC2224SE-DF40K-WL-I0:8KHZ
Storage	Description
Edge Storage	IPC2224SE-DF40K-WL-I0:Micro SD, up to 512 GB
Network Storage	IPC2224SE-DF40K-WL-I0:ANR; NAS (NFS)
Network	Description
Protocols	IPC2224SE-DF40K-WL-I0:IPv4; IPv6; IGMP; ICMP; ARP; TCP; UDP; DHCP; PPPoE; RTP; RTSP; RTCP; RTMP; DNS; DDNS; NTP; FTP; UPnP; HTTP; HTTPS; SMTP;

	802.1x; SNMP; QoS; SSL/TLS; SSH
Compatible Integration	IPC2224SE-DF40K-WL-I0:ONVIF (Profile S, Profile G, Profile T, Profile M); API; SDK
User/Host	IPC2224SE-DF40K-WL-I0:Up to 32 users, 2 user levels: administrator and common user
Security	IPC2224SE-DF40K-WL-I0>Password Protection; Strong Password; HTTPS Encryption; Export Operation Logs; Basic and digest authentication for RTSP; Digest authentication for HTTP; TLS 1.2; WSSE and digest authentication for ONVIF
Client	IPC2224SE-DF40K-WL-I0:UNV-Link; UNV-Link Pro; EZStation
Web Browser	IPC2224SE-DF40K-WL-I0:Plug-in required live view: IE 10 and above, Chrome 45 and above, Firefox 52 and above, Edge 79 and above; Plug-in free live view: Chrome 57.0 and above, Firefox 58.0 and above, Edge 16 and above
Interface	Description
Audio I/O	IPC2224SE-DF40K-WL-I0:1 Input: impedance 35k Ω ; amplitude 2V [p-p]; 1 Output: impedance 600 Ω ; amplitude 2V [p-p]
Alarm I/O	IPC2224SE-DF40K-WL-I0:1/1
Serial Port	IPC2224SE-DF40K-WL-I0:N/A
Built-in Mic	IPC2224SE-DF40K-WL-I0:N/A
Built-in Speaker	IPC2224SE-DF40K-WL-I0:N/A
WIFI	IPC2224SE-DF40K-WL-I0:N/A
Network	IPC2224SE-DF40K-WL-I0:1 x RJ45 10M/100M Base-TX Ethernet
Video Output	IPC2224SE-DF40K-WL-I0:N/A
Certification	Description
EMC	IPC2224SE-DF40K-WL-I0:CE-EMC (EN 55032: 2015+A1:2020,EN 61000-3-3: 2013+A1: 2019,EN IEC 61000-3-2: 2019+A1: 2021,EN 55035: 2017+A11:2020) FCC (FCC CFR 47 part15 B, ANSI C63.4-2014)
Safety	IPC2224SE-DF40K-WL-I0:CE LVD (EN 62368-1:2014+A11:2017) CB (IEC 62368-1:2014) UL (UL 62368-1, 2nd Ed., Issue Date: 2014-12-01)
Environment	IPC2224SE-DF40K-WL-I0:CE-RoHS (2011/65/EU;(EU)2015/863); WEEE (2012/19/EU); Reach (Regulation (EC) No 1907/2006)
Protection	IPC2224SE-DF40K-WL-I0:IP67 (IEC 60529:1989+AMD1:1999+AMD2:2013) IK10 (IEC 62262:2002)
General	Description
Power	IPC2224SE-DF40K-WL-I0:DC 12V \pm 25%, PoE (IEEE 802.3af) Power consumption: Max 9.0W
Power Interface	IPC2224SE-DF40K-WL-I0: \varnothing 5.5mm coaxial power plug
Dimensions	IPC2224SE-DF40K-WL-I0:245 \times 86 \times 85mm (9.6" \times 3.4" \times 3.3")
Weight	IPC2224SE-DF40K-WL-I0:0.87kg (1.92lb)
Material	IPC2224SE-DF40K-WL-I0:Metal
Working Environment	IPC2224SE-DF40K-WL-I0:-30 $^{\circ}$ C ~ 60 $^{\circ}$ C (-22 $^{\circ}$ F ~ 140 $^{\circ}$ F), Humidity: \leq 95% RH (non-condensing)
Storage Environment	IPC2224SE-DF40K-WL-I0:-30 $^{\circ}$ C ~ 60 $^{\circ}$ C (-22 $^{\circ}$ F ~ 140 $^{\circ}$ F), Humidity: \leq 95% RH (non-condensing)
Surge Protection	IPC2224SE-DF40K-WL-I0:4KV
Reset Button	IPC2224SE-DF40K-WL-I0:Support

Web Client Language

 IPC2224SE-DF40K-WL-I0:20 Languages
 Traditional Chinese, English, Simplified Chinese, Polish, German, Russian, French, Korean, Dutch, Czech, Portuguese (Europe), Portuguese (Brazil), Japanese, Thai, Turkish, Spanish (Latin America), Spanish (Europe), Hungarian, Italian, Vietnamese

Dimensions



Accessories

TR-JB07-D-IN

Bullet Junction Box(Support wiring from behind)

TR-JB06-A-IN

Middle Bullet Junction Box(Elegant White)

TR-UP06-B-IN

Bullet Pole Mounting Bracket


TR-UP06-C-IN

Pole Mounting Bracket for Bullet Junction Box Only

TR-A01-IN

NPT 3/4" Waterproof Cable Gland

TR-UC08-C

Bullet&Dome Corner Mounting Bracket


Zhejiang Uniview Technologies Co., Ltd.

No. 369, Xietong Road, Xixing Sub-district, Binjiang District, Hangzhou City, 310051, Zhejiang Province, China

Email: overseasbusiness@uniview.com; globalsupport@uniview.com

<http://www.uniview.com>

©2023-2024 Zhejiang Uniview Technologies Co., Ltd. All rights reserved.

*Product specifications and availability are subject to change without notice.

*Despite our best efforts, technical or typographical errors may exist in this document. Uniview cannot be held responsible for any such errors and reserves the right to change the contents of this document without prior notice.